



Electrolux

Factory Parts Catalog

Product No.	E30GC70FSS1
	37766266760S1
Series	30" gas
Color	stainless
Market	North America
Wiring Diagram	318047111
Owner's Guide	318200676
Installation Instructions	318201468

Electrolux

Electrolux Major Appliances
North & Latin America
P.O. BOX 212378
AUGUSTA, GA 30917

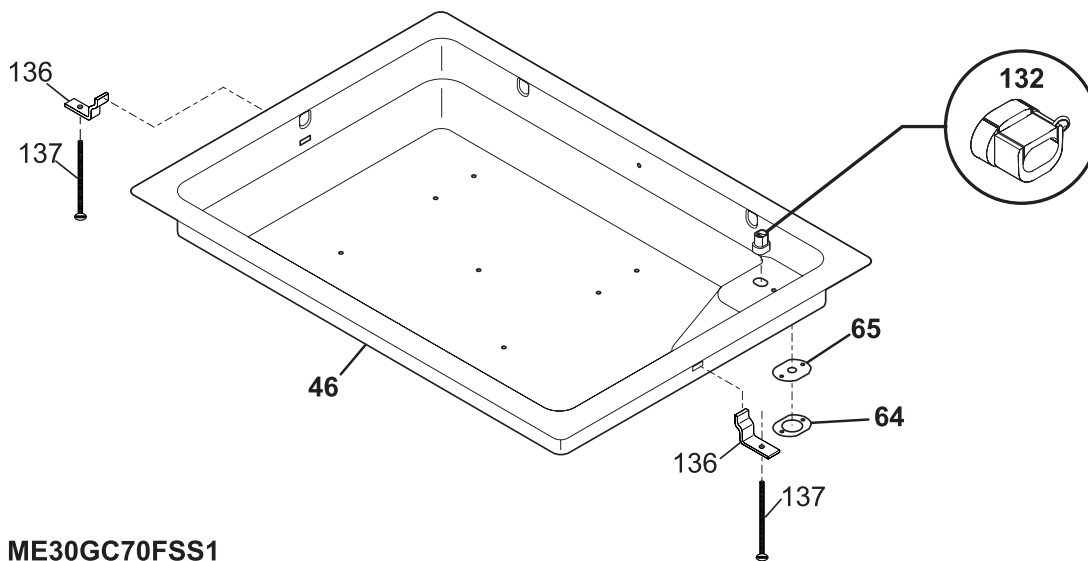
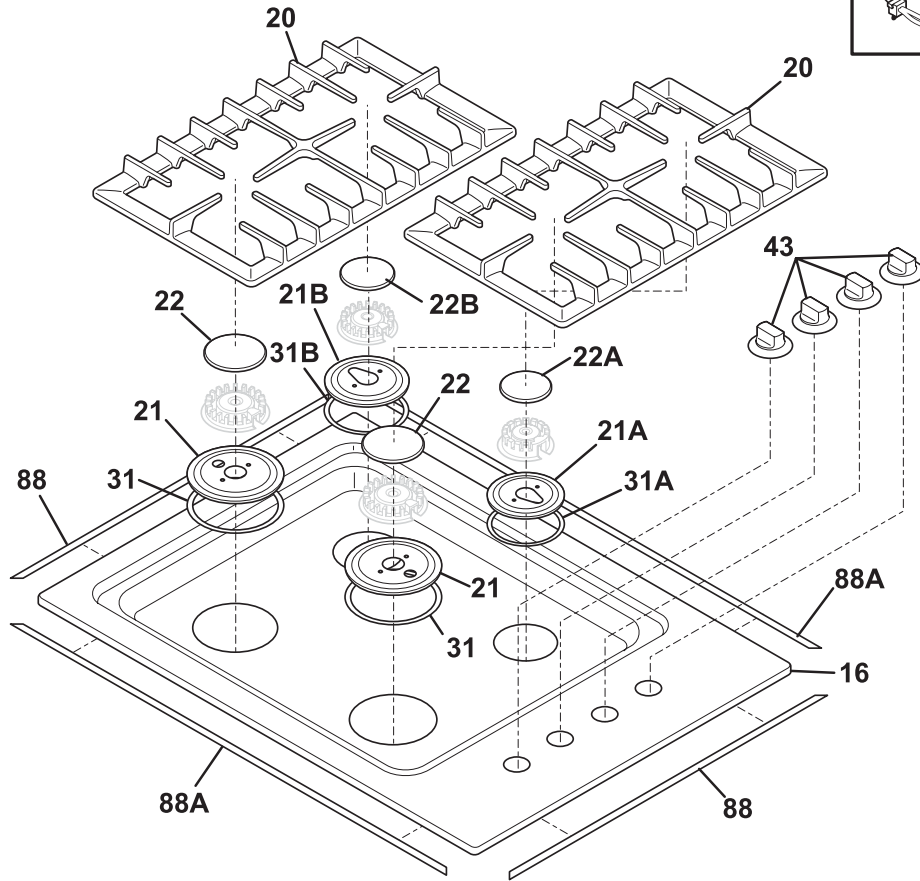
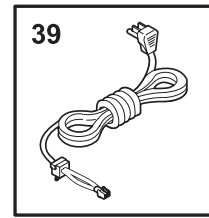
Publication No.
5995468773
06/06/26
(EN/SERVICE/ECL)
377

GAS COOK-TOP RANGE

Model No.
E30GC70F

Copyright © 2006 Electrolux Home Products, Inc.
All rights reserved.

COOK TOP

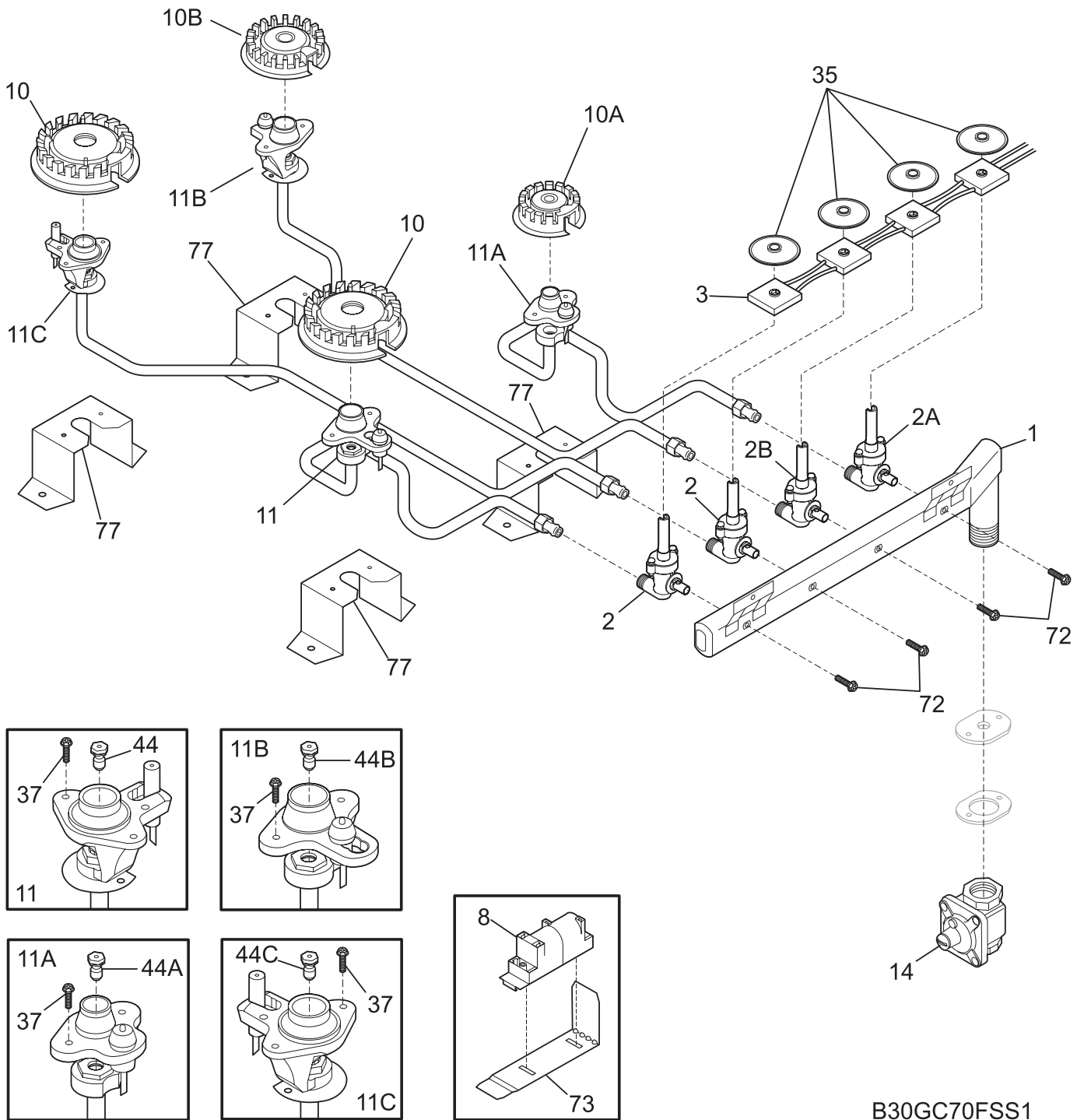


ME30GC70FSS1

COOK TOP

POS. NO	PART NO.	DESCRIPTION
16	318279352	Maintop, stainless
20	318358000	Grate, black, (2)
21	316264803	Skirt, 16/17K burner, black
21A	316241904	Skirt, 5K burner, black
21B	316241804	Skirt, 9.5K burner, black, (2)
22	316271904	Cap, 16/17K burner, black
22A	316206604	Cap, 5K burner, black
22B	316213505	Cap, 9.5K burner, black, (2)
31	316242004	Seal, 16/17K burner
31A	316242003	Seal, 5K burner
31B	316242002	Seal, 9.5K burner
39	318144006	Cord, service
43	318242220	Knob, control, (4)
46	318278903	Box, burner
64	5303304033	Bracket, retainer
*	5303307980	Screw, 8-32 x 0.437, (4)
65	5303304032	Seal, rubber
88	318280101	Gasket, cooktop, 21.48", sides, (2)
88A	318280100	Gasket, cooktop, 29.79", front/back, (2)
132	3201437	Strain relief
136	318264300	Support, box, (2)
137	5303285443	Screw, lock bracket, 10-24 x 2.00
*	318163602	Cleaner, stainless steel

BURNER



B30GC70FSS1

BURNER

POS. NO	PART NO.	DESCRIPTION
1	318177009	Manifold Pipe
*	08011955	Screw, 10-24 x 0.375, square drive
2 #	318233940	Valve, top burner, 16/17K
2A #	318233900	Valve, top burner, 5000 BTU
2B #	318233910	Valve, top burner, 9500 BTU
3 #	318232604	Wiring Harness, w/igntr switch
8 #	316135701	Module, spark
*	5303311532	Screw, 6-32 x 1/4", back
10 #	316223300	Burner, sealed, 16/17K
10A#	316206400	Burner, sealed, 5K
10B#	316212400	Burner, sealed, 9.5K
11 #	318306237	Ignitor/orifice assy., top burner, right front, 17K, w/holder, tube
11A#	318221332	Ignitor/orifice assy., top burner, right rear, 5K, w/holder, tube
11B#	318221334	Ignitor/orifice assy., top burner, left rear, 9.5K, w/holder, tube
11C#	318306236	Ignitor/orifice assy., top burner, left front, 16K, w/holder, tube
14 #	5308007974	Regulator, pressure
35	318146301	Bushing
37	316240600	Screw, assy mtg, ignitor/orifice
44	318362300	Orifice, top burner, 17K
44A	316237903	Orifice, top burner, 5K
44B	316237902	Orifice, top burner, 9.5K
44C	318362302	Orifice, top burner, 16K
72	316215600	Screw, valve mtg., 1/4 - 20
73	318024201	Bracket, spark module
*	5303305528	Screw, 8-32 x 1/4
77	318192606	Bracket, burner mtg, (4)
77*	5304403558	Screw, 10-16 x 0.250
* #	318127428	LP Conversion Kit
*	318199742	Wiring Harness, ignitor

WIRING DIAGRAM

