

INSTALLATION INSTRUCTIONS 30" (76 CM) ELECTRIC SINGLE AND DOUBLE BUILT-IN OVEN

INSTRUCTIONS D'INSTALLATION FOUR ÉLECTRIQUE ENCASTRÉ 30" (76 CM) - SIMPLE ET DOUBLE

Table of Contents / Table des matières

OVEN SAFETY	2	SÉCURITÉ DU FOUR	9
INSTALLATION REQUIREMENTS	2	EXIGENCES D'INSTALLATION	9
Tools and Parts	2	Outillage et pièces	9
Location Requirements.....	2	Exigences d'emplacement	9
Electrical Requirements	4	Spécifications électriques.....	11
INSTALLATION INSTRUCTIONS	5	INSTRUCTIONS D'INSTALLATION	12
Prepare Oven for Installation	5	Préparation du four pour l'installation	12
Remove Oven Trim	5	Dépose des garnitures du four	12
Make Electrical Connection	6	Raccordement électrique	13
Install Oven.....	7	Installation du four	14
Complete Installation	8	Achever l'installation	15

IMPORTANT:

Installer: Leave installation instructions with the homeowner.
Homeowner: Keep installation instructions for future reference.
Save installation instructions for local electrical inspector's use.

IMPORTANT :

Installateur : Remettre les instructions d'installation au propriétaire.
Propriétaire : Conserver les instructions d'installation pour référence ultérieure.
Conserver les instructions d'installation pour consultation par l'inspecteur local des installations électriques.

OVEN SAFETY

Your safety and the safety of others are very important.

We have provided many important safety messages in this manual and on your appliance. Always read and obey all safety messages.



This is the safety alert symbol.

This symbol alerts you to potential hazards that can kill or hurt you and others.

All safety messages will follow the safety alert symbol and either the word “DANGER” or “WARNING.” These words mean:

 **DANGER**

You can be killed or seriously injured if you don't immediately follow instructions.

 **WARNING**

You can be killed or seriously injured if you don't follow instructions.

All safety messages will tell you what the potential hazard is, tell you how to reduce the chance of injury, and tell you what can happen if the instructions are not followed.

INSTALLATION REQUIREMENTS

Tools and Parts

Gather the required tools and parts before starting installation.

Tools needed

- Phillips screwdriver

Parts needed

- A UL listed or CSA approved conduit connector
- UL listed wire nuts

Parts supplied

- 2 screws (single oven) or 4 screws (double oven)

Check local codes. Check existing electrical supply. See “Electrical Requirements.”

All electrical connections should be made by a licensed, qualified electrical installer.

Location Requirements

Proper installation is your responsibility. Make sure you have everything needed for correct installation. It is the responsibility of the installer to comply with the installation clearances specified in these instructions.

IMPORTANT: Observe all governing codes and ordinances. Cabinet opening dimensions that are shown must be used. Given dimensions provide minimum clearance with oven.

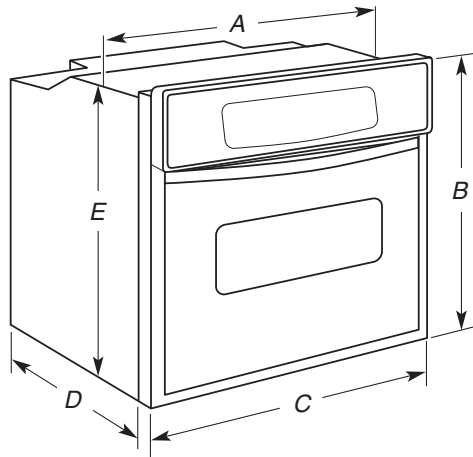
- Recessed installation area must provide complete enclosure around the recessed portion of the oven.

- Grounded electrical supply is required. See “Electrical Requirements” section.
- Electrical supply junction box should be located 3" (7.6 cm) maximum below the support surface when the oven is installed in a wall cabinet. Drill a 1" (2.5 cm) minimum diameter hole in the right rear or left rear corner of the support surface to pass the appliance cable through to the junction box.
NOTE: For undercounter installation, it is recommended that the junction box be located in the adjacent right or left cabinet. If installing the junction box on rear wall behind oven, the junction box must be recessed and located in the upper or lower right or left corner of the cabinet; otherwise, the oven will not fit into the cabinet opening.
- Oven support surface must be solid, level and flush with bottom of cabinet cutout. Floor must be able to support a single oven weight of 140 lbs (63.5 kg) or a double oven weight of 245 lbs (111.1 kg).

Undercounter Installation (with cooktop installed above):

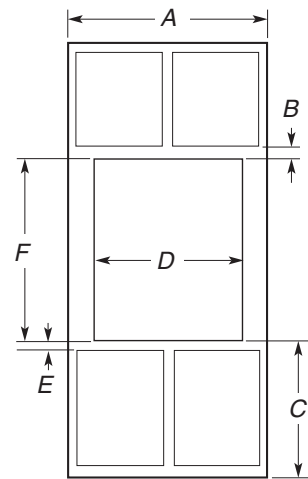
Ovens approved for this type of installation have an approval label located on the top of the oven. Refer to undercounter installation instructions for cutout dimensions and approved oven cooktop combinations (separate sheet).

Product Dimensions - Single Oven



- A. 28 ³/₈" (71.2 cm) max. recessed width
- B. 29" (73.7 cm) max. overall height
- C. 29 ³/₄" (75.6 cm) overall width
- D. 23" (58.4 cm) max. recessed depth
- E. 27 ¹/₂" (69.9 cm) recessed height

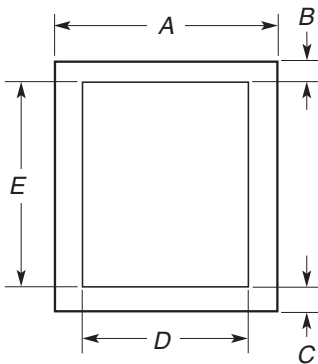
Single Oven Installed in Cabinet



- A. 30" (76.2 cm) min. cabinet width
- B. 1" (2.5 cm) top of cutout to bottom of upper cabinet door
- C. 32" (81.3 cm) bottom of cutout to floor
- D. 28 ¹/₂" (72.4 cm) cutout width
- E. 1 ¹/₂" (3.8 cm) min. bottom of cutout to top of cabinet door
- F. 27 ³/₄" (70.5 cm) min. cutout height

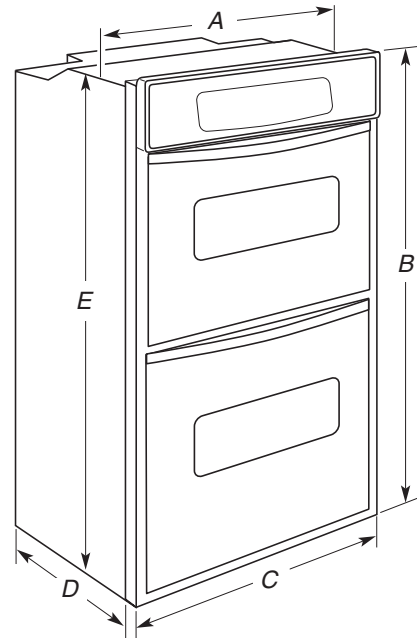
Installation Clearances - Single Oven

Single Oven Undercounter (without cooktop installed above)



- A. 30" (76.2 cm) min. cabinet width
- B. 1 ¹/₂" (3.8 cm) min. top of cutout to underside of countertop
- C. 5 ¹/₄" (13.3 cm) bottom of cutout to floor
- D. 28 ¹/₂" (72.4 cm) cutout width
- E. 27 ³/₄" (70.5 cm) min. cutout height

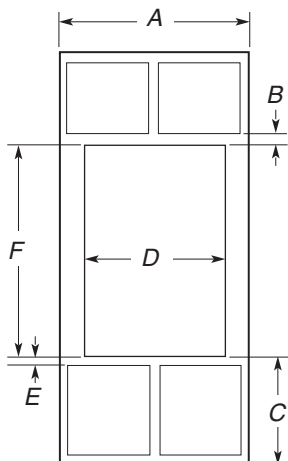
Product Dimensions - Double Oven



- A. 28 ³/₈" (71.2 cm) max. recessed width
- B. 51" (129.5 cm) max. overall height
- C. 29 ³/₄" (75.6 cm) overall width
- D. 23" (58.4 cm) max. recessed depth
- E. 49 ¹/₂" (125.7 cm) recessed height

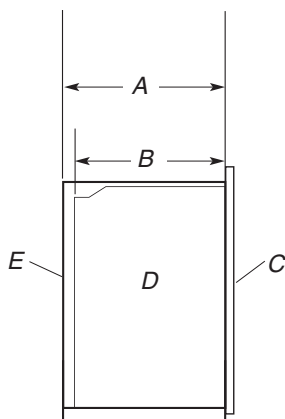
Installation Clearances - Double Oven

Double Oven Installed in Cabinet



- A. 30" (76.2 cm) min. cabinet width
- B. 1" (2.5 cm) top of cutout to bottom of upper cabinet door
- C. 14 3/4" (37.5 cm) bottom of cutout to floor
- D. 28 1/2" (72.4 cm) cutout width
- E. 1 1/2" (3.8 cm) min. bottom of cutout to top of cabinet door
- F. 49 3/4" (126.4 cm) min. cutout height

Cabinet Side View - Double or Single Oven



- A. 23 1/4" (59.1 cm) min. cutout depth
- B. 23" (58.4 cm) recessed oven depth
- C. Oven front
- D. Recessed oven
- E. Cabinet

Cabinet filler kits are available from your dealer. Use matching color kit if oven is smaller than your cabinet opening.

Single oven filler height is 3 5/16" (8.4 cm)

Black - 4378941

White - 4378942

Almond - 4378943

Double oven filler height is 6 5/16" (16 cm)

Black - 4378947

White - 4378948

Almond - 4378949

Electrical Requirements

If codes permit and a separate ground wire is used, it is recommended that a qualified electrical installer determine that the ground path and wire gauge are in accordance with local codes.

Do not ground to a gas pipe.

Check with a qualified electrical installer if you are not sure the oven is properly grounded.

Do not have a fuse in the neutral or ground circuit.

This oven must be connected to a grounded metal, permanent wiring system.

Be sure that the electrical connection and wire size are adequate and in conformance with the National Electrical Code, ANSI/NFPA 70-latest edition or CSA Standards C22.1-94, Canadian Electrical Code, Part 1 and C22.2 No. O-M91-latest edition, and all local codes and ordinances.

A copy of the above code standards can be obtained from:

National Fire Protection Association
One Batterymarch Park
Quincy, MA 02269

CSA International
8501 East Pleasant Valley Road
Cleveland, OH 44131-5575

Electrical Connection

To properly install your oven, you must determine the type of electrical connection you will be using and follow the instructions provided for it here.

- Oven must be connected to the proper electrical voltage and frequency as specified on the model/serial number rating plate. (The model/serial number rating plate is located on the oven door or on the oven frame.)
- Models rated from 7.3 to 9.6 kW at 240 volts (5.5 to 7.2 kW at 208 volts) require a separate 40-amp circuit. Models rated at 7.2 kW and below at 240 volts (5.4 kW and below at 208 volts) require a separate 30-amp circuit.
- A time-delay fuse or circuit breaker is recommended.
- Connect directly to the fused disconnect (or circuit breaker box) through flexible, armored or nonmetallic sheathed, copper cable (with grounding wire). See "Make Electrical Connection" section.
- Flexible armored cable from appliance should be connected directly to the junction box.
- Do not cut the conduit. Use the length of conduit provided.
- A UL listed or CSA approved conduit connector must be provided.
- If the house has aluminum wiring, connect the aluminum wiring to the copper wire by using special connectors designed and UL listed for joining copper to aluminum. Follow the electrical connector manufacturer's recommended procedure. Aluminum/copper connection must conform with local codes and industry accepted wiring practices.

INSTALLATION INSTRUCTIONS

Prepare Oven for Installation

1. Decide on the final location for the oven. Locate existing wiring to prevent drilling into or severing wiring during installation.

⚠ WARNING

Excessive Weight Hazard

**Use two or more people to move and install oven.
Failure to do so can result in back or other injury.**

2. To prevent floor damage, set the oven onto cardboard prior to installation. Do not use handle or any portion of the front frame or trim for lifting.

On models with shipping feet attached:

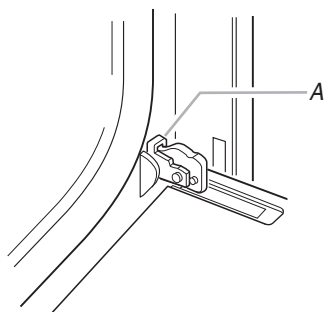
To prevent product damage, do not remove the shipping feet at the front lower corners of the oven. The shipping feet will protect the lower oven trim until the oven is inserted into cabinet.

3. Move oven close to final location.
4. Remove the shipping materials and tape from the oven.
5. Remove the hardware package from inside the literature bag.
6. Remove and set aside racks and other parts from inside the oven.

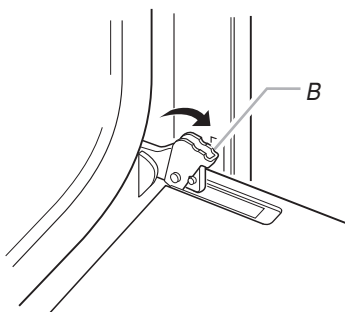
Remove Oven Trim

IMPORTANT: Use both hands to remove oven doors.

1. Open the oven door.
2. Locate the oven door latches in both corners of the oven door, and rotate the latches forward to the unlocked position.

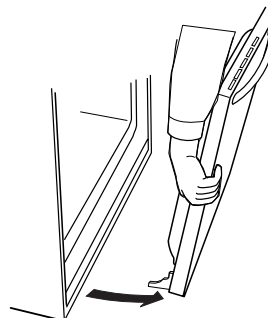


A. Oven door latch in locked position

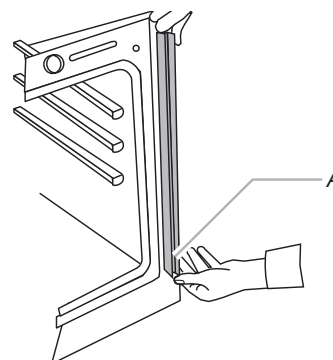


B. Oven door latch in unlocked position

3. Grasp the edges of the oven door with both hands and close the oven door until it will no longer close. Lift and pull oven door toward you and remove. Set the oven door aside on a protective surface.

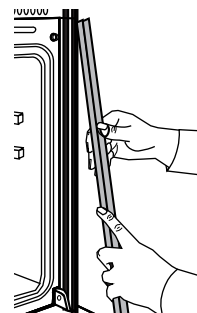


4. Remove bottom screw on each side of the oven trim.



A. Remove trim screw and pull out.

5. Grasp the bottom end of trim and pull away from oven.
6. Slide top end of trim downward to remove trim from oven. Set trim aside.



Make Electrical Connection

⚠ WARNING



Electrical Shock Hazard

Disconnect power before servicing.

Use 8 gauge solid copper wire.

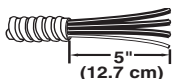
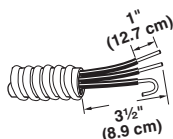
Electrically ground oven.

Failure to follow these instructions can result in death, fire, or electrical shock.

This oven is manufactured with a neutral (white) power supply wire and a cabinet-connected bare grounding wire crimped together.

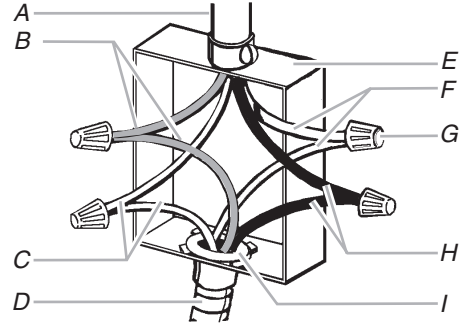
1. Disconnect power.
2. Feed the flexible cable conduit from the oven through the opening in the cabinet.
3. Remove junction box cover if present.
4. Connect the flexible cable conduit from the oven to the junction box using a UL listed or CSA approved conduit connector.
5. Tighten screws on conduit connector.
6. Complete installation following instructions for your type of electrical connection:
 - 4-wire** (recommended)
 - 3-wire** (if 4-wire is not available)

Electrical Connection Options

If your home has:	And you will be connecting to:	Go to section:
4-wire direct 	A fused disconnect or circuit breaker box	4-wire Cable from Power Supply
3-wire direct 	A fused disconnect or circuit breaker box	3-wire Cable from Power Supply

4-Wire Cable from Power Supply

IMPORTANT: Use the 4-wire cable from power supply where local codes do not permit connecting the frame-ground conductor to the neutral (white) junction box wire or when connecting to a 4-wire electrical system.

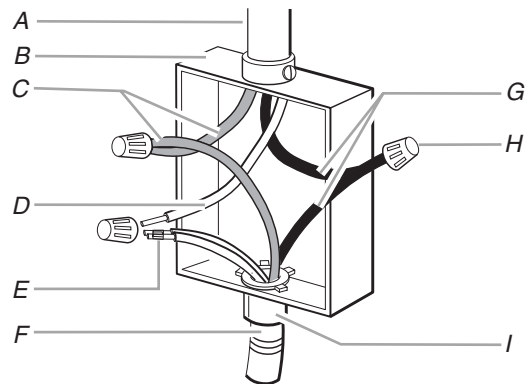


- | | |
|---------------------------------|--|
| A. Cable from power supply | F. White wires |
| B. Red wires | G. UL listed wire nuts |
| C. Green (or bare) ground wires | H. Black wires |
| D. 4-wire cable from oven | I. UL listed or CSA approved conduit connector |
| E. Junction box | |

1. Connect the 2 black wires together using a UL listed wire nut.
2. Connect the 2 red wires together using a UL listed wire nut.
3. Separate the factory crimped green (or bare) and white oven cable wires.
4. Connect the 2 white wires together using a UL listed wire nut.
5. Connect the green (or bare) ground wire from the oven cable to the green (or bare) ground wire (in the junction box) using a UL listed wire nut.
6. Replace junction box cover.

3-Wire Cable from Power Supply

IMPORTANT: Use the 3-wire cable from power supply where local codes permit connecting the frame-ground conductor to the neutral (white) junction box wire:



- | | |
|--|--|
| A. Cable from power supply | F. 4-wire cable from oven |
| B. Junction box | G. Black wires |
| C. Red wires | H. UL listed wire nuts |
| D. White wire (from power supply) | I. UL listed or CSA approved conduit connector |
| E. White and green (or bare) oven ground wires - factory crimped | |

1. Connect the 2 black wires together using a UL listed wire nut.
2. Connect the 2 red wires together using a UL listed wire nut.
3. Connect the factory crimped white and green (or bare) ground wires of the oven cable to the white (neutral) wire in the junction box using a UL listed wire nut.
4. Install junction box cover.
5. Reconnect power.

Install Oven

! WARNING

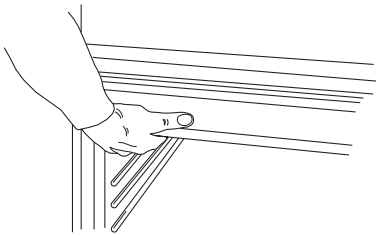
Excessive Weight Hazard

Use two or more people to move and install oven.

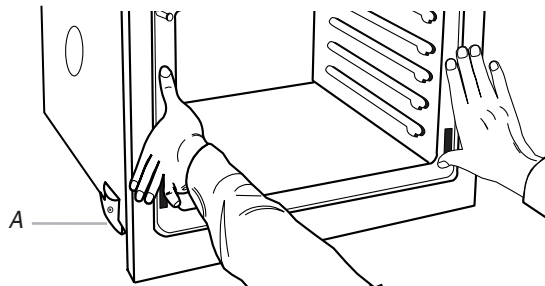
Failure to do so can result in back or other injury.

1. Lift oven into cabinet cutout using the oven opening as an area to grip.

NOTE: Push against seal area of oven front frame when pushing oven into cabinet. Do not push against outside edges.



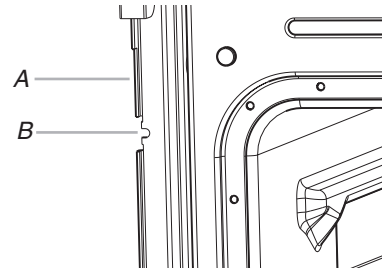
2. Push against seal area of front frame to push oven into cabinet until shipping feet almost contact cabinet.



A. Shipping foot

3. On some models, use a Phillips screwdriver to remove screws attaching shipping feet.
4. Push oven completely into cabinet and center oven into cabinet cutout.

5. Securely fasten oven to cabinet using the screws (2 for single oven, 4 for double oven) provided. Insert the screws through holes in mounting rails. Do not overtighten screws.

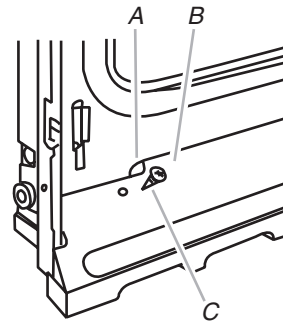


A. Mounting rail

B. Insert screw

6. On some models, the oven vent is taped to the side of the oven. See following instructions to install.

- a). Insert the vent tabs (B) into slots (A) in the oven frame.
- b). With one screw (C) for each side of the vent, fasten vent securely to the oven.

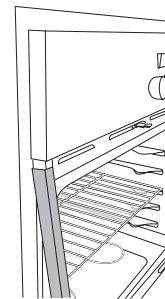


A. Oven frame slot

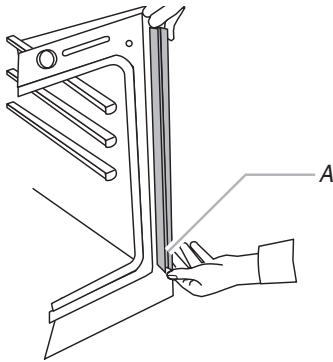
B. Vent tab

C. Screw

7. Slide top end of each trim upward onto oven side rails.



8. Push each trim into place at bottom of trim.



A. Push trim into place and replace screw.

9. Use screws to attach each trim to oven.
10. Replace oven racks.
11. Replace oven door by inserting ends of hinges into hinge slots in the oven frame.
12. Push hinges in as far as they will go and open the oven door. You should feel the oven door drop into place.
13. Rotate both hinge latches back to the locked position.
14. Close and open the oven door to check that the door closes and opens completely. If the oven door does not close or open completely, repeat the oven door removal process and reinstall. See "Remove Oven Trim" section.
15. Repeat for lower oven door.
16. Reconnect power.

Complete Installation

1. Check that all parts are now installed. If there is an extra part, go back through the steps to see which step was skipped.
2. Check that you have all of your tools.
3. Dispose of/recycle all packaging materials.
4. For oven cleaning, see the "Oven Care" section of the Use and Care Guide.
5. Read "Oven Use" in the oven Use and Care Guide.

Check Operation of Single Oven

1. Turn power on. "PF" should appear in the display.
2. Press CUSTOM BROIL. "BROIL" will appear in the display.
3. Press START. Make sure the oven door is closed and the "ON" light is shown in the display.

If oven(s) does not operate, check the following:

- Household fuse is intact and tight; or circuit breaker has not tripped.
 - Electrical supply is connected.
 - See "Troubleshooting" section in the Use and Care Guide.
4. When oven has been on for 2 minutes, feel for heat.
If you do not feel heat or if an "F" followed by a number appears in the display, turn off the oven and contact a qualified technician.
 5. Press OFF/CANCEL.

Check Operation of Double Oven

1. Turn power on. "PF" should appear in the display.
2. Press UPPER OVEN or LOWER OVEN, to select the oven you are testing.
3. Repeat "Check Operation of Single Oven" steps 2-5.

For the clock setting and other oven functions refer to the Use and Care Guide.

If you need Assistance or Service:

Please reference the "Assistance or Service" section of the Use and Care Guide or contact the dealer from whom you purchased your built-in oven.

SÉCURITÉ DU FOUR

Votre sécurité et celle des autres est très importante.

Nous donnons de nombreux messages de sécurité importants dans ce manuel et sur votre appareil ménager. Assurez-vous de toujours lire tous les messages de sécurité et de vous y conformer.



Voici le symbole d'alerte de sécurité.

Ce symbole d'alerte de sécurité vous signale les dangers potentiels de décès et de blessures graves à vous et à d'autres.

Tous les messages de sécurité suivront le symbole d'alerte de sécurité et le mot "DANGER" ou "AVERTISSEMENT". Ces mots signifient :

⚠ DANGER

Risque possible de décès ou de blessure grave si vous ne suivez pas immédiatement les instructions.

⚠ AVERTISSEMENT

Risque possible de décès ou de blessure grave si vous ne suivez pas les instructions.

Tous les messages de sécurité vous diront quel est le danger potentiel et vous disent comment réduire le risque de blessure et ce qui peut se produire en cas de non-respect des instructions.

EXIGENCES D'INSTALLATION

Outillage et pièces

Rassembler les outils et pièces nécessaires avant de commencer l'installation.

Outillage nécessaire

- Tournevis Phillips

Pièces nécessaires

- Un connecteur de conduit (homologation UL ou CSA)
- Un connecteur de fil (homologation UL)

Pièces fournies

- 2 vis (four simple) ou 4 vis (four double)

Consulter les codes locaux. Vérifier l'alimentation électrique existante. Voir "Spécifications électriques".

Toutes les connexions électriques doivent être effectuées par un électricien qualifié et certifié.

Exigences d'emplacement

C'est à l'utilisateur qu'incombe la responsabilité de réaliser une installation correcte. S'assurer d'avoir tout le nécessaire pour une installation convenable. C'est à l'installateur qu'incombe la responsabilité de se conformer aux espacements d'installation spécifiés dans ces instructions.

IMPORTANT : Observer les dispositions de tous les codes et règlements en vigueur. Respecter les dimensions indiquées pour la cavité d'installation entre les placards. Ces dimensions prennent en compte les dégagements de séparation nécessaires.

- Pour l'installation comme four encastré, l'espace d'installation doit permettre la formation d'une enceinte complète autour de la partie encastrée du four.

- Une source d'électricité avec liaison à la terre est nécessaire. Voir la section "Spécifications électriques".

- Le boîtier de raccordement doit être situé à moins de 3" (7,6 cm) au-dessous de la surface de support lorsque le four est installé dans un placard mural. Percer un trou de diamètre 1" (2,5 cm) ou plus dans l'angle arrière gauche ou droit de la surface de support pour le passage du câble d'alimentation jusqu'au boîtier de connexion.

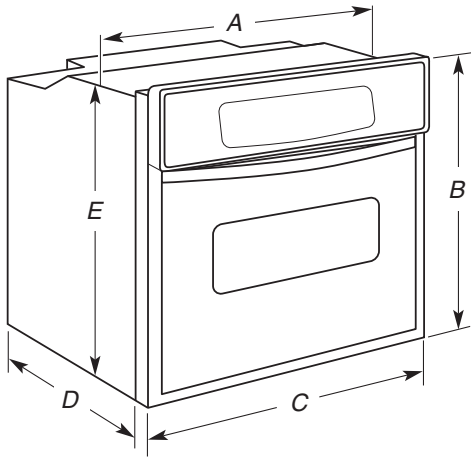
REMARQUE : Pour l'installation sous un plan de travail, on recommande que le boîtier de connexion soit situé dans le placard adjacent, à droite ou à gauche. Dans le cas de l'installation du boîtier de connexion sur le mur arrière, derrière le four, le boîtier de connexion devra être encastré et placé dans l'angle inférieur ou supérieur du placard, à gauche ou à droite; sinon le four ne pourrait pas passer dans l'ouverture destinée à le recevoir.

- La surface de support du four doit être robuste, horizontale et en affleurement avec le bas de l'ouverture découpée dans le placard. Le plancher doit pouvoir soutenir le poids du four : 140 lb (63,5 kg) pour un four simple, ou 245 lb (111,1 kg) pour un four double.

Installation sous un plan de travail (avec table de cuisson installée au-dessus) :

Les fours homologués pour ce type d'installation comportent une étiquette d'homologation placée sur le dessus. Voir les instructions d'installation du plan de travail au sujet des dimensions de l'ouverture à réaliser et des combinaisons approuvées four/table de cuisson (document distinct).

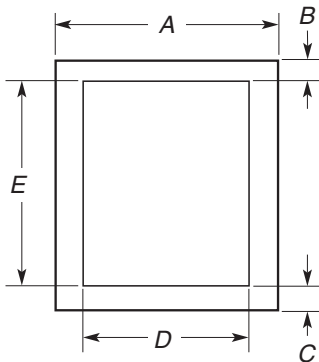
Dimensions du produit - Four simple



- A. Largeur d'encastrement 28 $\frac{3}{8}$ " (71,2 cm) max.
- B. Hauteur hors-tout 29" (73,7 cm) max.
- C. Largeur hors-tout 29 $\frac{3}{4}$ " (75,6 cm)
- D. Profondeur d'encastrement 23" (58,4 cm) max.
- E. Hauteur d'encastrement 27 $\frac{1}{2}$ " (69,9 cm)

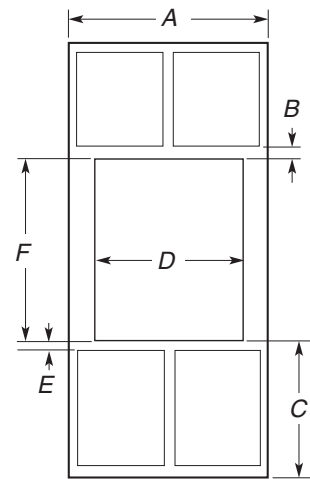
Dégagements de séparation à respecter - Four simple

Four simple sous le plan de travail (sans table de cuisson au-dessus)



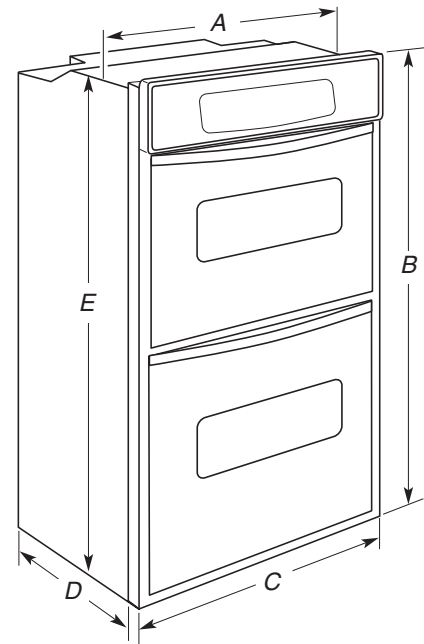
- A. Largeur du placard 30" (76,2 cm) min.
- B. 1 $\frac{1}{2}$ " (3,8 cm) min. du sommet de l'ouverture à la face inférieure du plan de travail
- C. 5 $\frac{1}{4}$ " (13,3 cm) du fond de l'ouverture au plancher
- D. Largeur de l'ouverture 28 $\frac{1}{2}$ " (72,4 cm)
- E. Hauteur de l'ouverture 27 $\frac{3}{4}$ " (70,5 cm) min.

Four simple installé dans un placard



- A. Largeur du placard 30" (76,2 cm) min.
- B. 1" (2,5 cm) du sommet de l'ouverture au fond de la porte du placard supérieur
- C. 32" (81,3 cm) du fond de l'ouverture au plancher
- D. Largeur de l'ouverture 28 $\frac{1}{2}$ " (72,4 cm)
- E. 1 $\frac{1}{2}$ " (3,8 cm) min. du fond de l'ouverture à la porte du placard supérieur
- F. Hauteur de l'ouverture 27 $\frac{3}{4}$ " (70,5 cm) min.

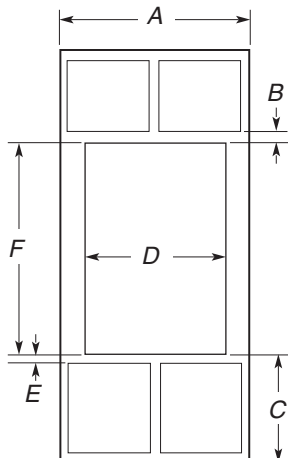
Dimensions du produit - Four double



- A. Largeur d'encastrement 28 $\frac{3}{8}$ " (71,2 cm) max.
- B. Hauteur hors-tout 51" (129,5 cm) max.
- C. Largeur hors-tout 29 $\frac{3}{4}$ " (75,6 cm)
- D. Profondeur d'encastrement 23" (58,4 cm) max.
- E. Hauteur d'encastrement 49 $\frac{1}{2}$ " (125,7 cm)

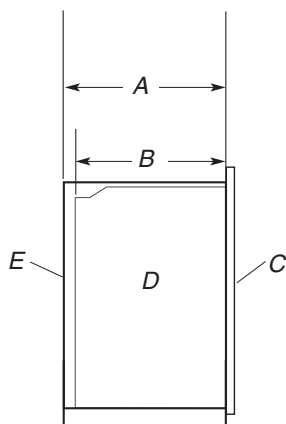
Dégagements de séparation à respecter - Four double

Four double installé dans un placard



- A. Largeur du placard 30" (76,2 cm) min.
- B. 1" (2,5 cm) du sommet de l'ouverture au fond de la porte du placard supérieur
- C. 14 3/4" (37,5 cm) du fond de l'ouverture au plancher
- D. Largeur de l'ouverture 28 1/2" (72,4 cm)
- E. 1 1/2" (3,8 cm) min. du fond de l'ouverture au sommet de la porte du placard supérieur
- F. Hauteur de l'ouverture 49 3/4" (126,4 cm) min.

Vue en coupe du placard - pour four double ou simple



- A. Profondeur de l'ouverture 23 1/4" (59,1 cm) min.
- B. Profondeur du four encastré 23" (58,4 cm)
- C. Façade du four
- D. Four encastré
- E. Placard

Des pièces de remplissage des espaces vides sont disponibles chez le revendeur. Utiliser le kit de couleur assortie si les dimensions du four sont inférieures à celles de l'ouverture réalisée dans le placard.

Pièce de remplissage pour four simple - hauteur 3 5/16" (8,4 cm)

Noir - 4378941

Blanc - 4378942

Amande - 4378943

Pièce de remplissage pour four double - hauteur 6 5/16" (16 cm)

Noir - 4378947

Blanc - 4378948

Amande - 4378949

Spécifications électriques

Si on utilise un conducteur distinct de liaison à la terre lorsque les codes le permettent, il est recommandé qu'un électricien qualifié vérifie que la liaison à la terre et le calibre pour fils sont conformes aux codes locaux.

Ne pas utiliser une tuyauterie de gaz pour le raccordement à la terre.

En cas de doute quant à la qualité de la liaison à la terre du four, consulter un électricien qualifié.

Ne pas installer un fusible dans le conducteur neutre ou le conducteur de liaison à la terre.

Ce four doit être raccordé à un système permanent, métallique de câblage relié à la terre.

S'assurer que la connexion électrique et le calibre des fils sont appropriés et conformes au National Electrical Code, aux normes ANSI/NFPA 70 - dernière édition, ou aux normes CSA C22.1-94, au Code canadien de l'électricité, Partie 1 et C22.2 N° O-M91 - dernière édition, et à tous les codes et règlements locaux.

Pour obtenir un exemplaire de la norme des codes ci-dessus, contacter :

National Fire Protection Association
One Batterymarch Park
Quincy, MA 02269
CSA International
8501 East Pleasant Valley Road
Cleveland, OH 44131-5575

Raccordement électrique

Pour installer le four correctement, il faut établir le type de raccords électriques que l'on utilisera et suivre les instructions indiquées ici.

- Le four doit être alimenté par une source d'électricité appropriée (caractéristiques de tension et fréquence spécifiées sur la plaque signalétique). (La plaque signalétique est située sur la porte du four ou sur le châssis du four.)
- Un modèle de 7,3 à 9,6 kW/240 volts (5,5 à 7,2 kW/208 volts) doit être alimenté par un circuit indépendant de 40 A. Un modèle de 7,2 kW ou moins à 240 volts (5,4 kW ou moins à 208 volts) doit être alimenté par un circuit indépendant de 30 A.
- On recommande d'utiliser un disjoncteur ou un fusible temporisé.
- Raccorder l'appareil directement au tableau de distribution par un câble à conducteur de cuivre et gaine métallique flexible ou gaine non métallique (avec conducteur de liaison à la terre). Voir la section "Raccordement électrique".
- Le câble blindé flexible de l'appareil doit être connecté directement dans le boîtier de connexion.
- Ne pas couper le conduit. Utiliser toute la longueur du conduit fourni.
- L'installateur doit fournir un connecteur de conduit (homologation UL ou CSA).
- Si le domicile est équipé d'un câblage en aluminium, le connecter au fil de cuivre en utilisant les connecteurs spécialement conçus et homologués UL pour raccorder le cuivre à l'aluminium. Appliquer la procédure recommandée par le fabricant des connecteurs. La connexion aluminium/cuivre doit être conforme aux codes locaux et aux pratiques acceptées par l'industrie.

INSTRUCTIONS D'INSTALLATION

Préparation du four pour l'installation

1. Choisir l'emplacement final pour l'installation du four. Repérer le câblage existant pour éviter de le percer ou de l'endommager lors de l'installation.

⚠ AVERTISSEMENT

Risque du poids excessif

Utiliser deux ou plus de personnes pour déplacer et installer le four.

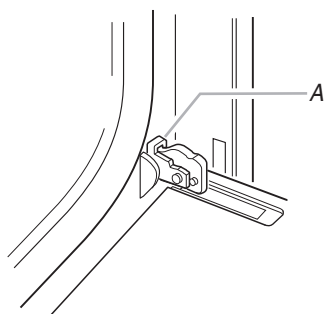
Le non-respect de cette instruction peut causer une blessure au dos ou d'autre blessure.

2. Pour éviter d'endommager le plancher, placer le four sur une feuille de carton avant l'installation. Lors des opérations de levage, ne pas prendre prise sur la poignée ou sur une autre partie du châssis avant, ou sur la garniture de l'appareil.
Sur les modèles avec pieds installés pour l'expédition : Pour éviter d'endommager le produit, ne pas enlever les pieds installés pour l'expédition au niveau des angles avant/inférieurs du four. Les pieds protègent la garniture inférieure du four jusqu'à son insertion dans l'espace d'installation entre les placards.
3. Approcher le four de son emplacement de service final.
4. Enlever les matériaux d'emballage et les rubans adhésifs du four.
5. Enlever le matériel à l'intérieur du sachet de documentation.
6. Enlever et conserver à part les grilles et autres composants qu'on trouve à l'intérieur du four.

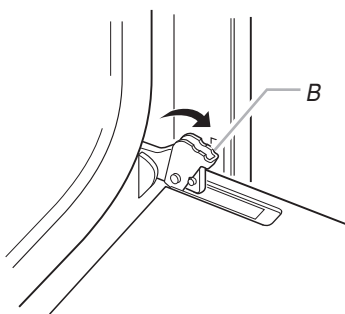
Dépose des garnitures du four

IMPORTANT : Employer les deux mains pour enlever la porte du four.

1. Ouvrir la porte du four.
2. Identifier les charnières de la porte du four dans les angles inférieurs de la porte; faire pivoter les charnières vers l'avant jusqu'à la position de déverrouillage.

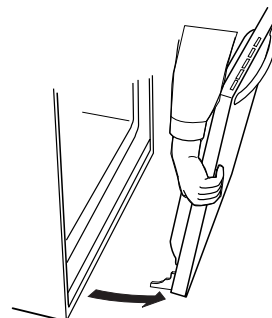


A. Porte du four - position de verrouillage

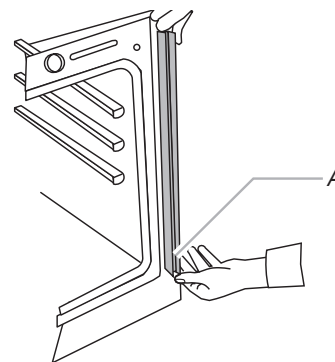


B. Porte du four - position de déverrouillage

3. Saisir les bords de la porte du four avec les deux mains et effectuer une manœuvre de fermeture de la porte du four, jusqu'à la position où la fermeture de la porte n'est plus possible. Soulever et tirer la porte du four vers soi et enlever la porte. Conserver la porte du four à part sur une surface protégée.

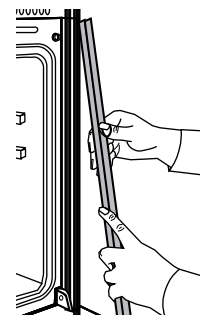


4. Enlever la vis inférieure de chaque tringle de garniture latérale du four.



A. Tirer pour ôter la vis de la tringle de garniture

5. Saisir l'extrémité inférieure de la tringle de garniture et tirer pour l'écarter du four.
6. Faire glisser l'extrémité supérieure de la tringle de garniture vers le bas pour pouvoir séparer la tringle du four. Conserver la tringle à part.



Raccordement électrique

⚠ AVERTISSEMENT



Risque de choc électrique

Déconnecter la source de courant électrique avant d'entreprendre le travail.

Utiliser des conducteurs de cuivre rigides de calibre 8.

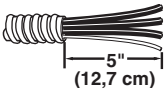
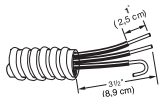
Relier le four à la terre.

Le non-respect de ces instructions peut causer un décès, un incendie ou un choc électrique.

Le câblage d'alimentation de ce four comporte un conducteur neutre (blanc) et un conducteur nu de liaison à la terre connecté à la caisse; ces deux conducteurs sont connectés ensemble.

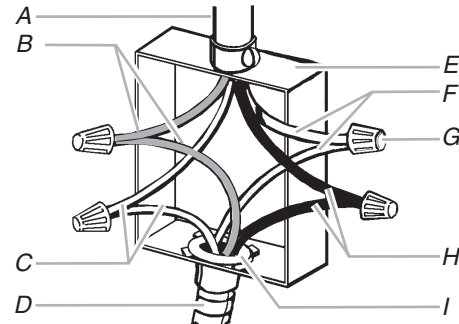
- Déconnecter la source de courant électrique.
- Placer le câble blindé flexible depuis le four jusqu'à l'espace d'installation dans le placard.
- Le cas échéant, enlever le couvercle du boîtier de connexion.
- Connecter le câble blindé flexible entre le four et le boîtier de connexion - utiliser un connecteur de conduit (homologation UL ou CSA).
- Serrer les vis sur le connecteur de conduit.
- Terminer l'installation selon la configuration de raccordement électrique :
 - 4 conducteurs** (recommandé)
 - 3 conducteurs** (si un circuit à 4 conducteurs n'est pas disponible)

Options de raccordement électrique

Câblage de la maison :	Point de distribution :	Voir la section suivante :
Direct - 4 conducteurs 	Boîte de disjoncteur ou coupe-circuit avec fusible	Câble à 4 conducteurs depuis le point de distribution
Direct - 3 conducteurs 	Boîte de disjoncteur ou coupe-circuit avec fusible	Câble à 3 conducteurs depuis le point de distribution

Câble à 4 conducteurs depuis le point de distribution

IMPORTANT : Lorsque le code local en vigueur ne permet pas le raccordement entre le conducteur de liaison à la terre du châssis et le conducteur neutre (blanc) dans le boîtier de connexion, ou dans le cas du raccordement à un circuit d'alimentation à 4 conducteurs, utiliser le câble à 4 conducteurs depuis le tableau de distribution.

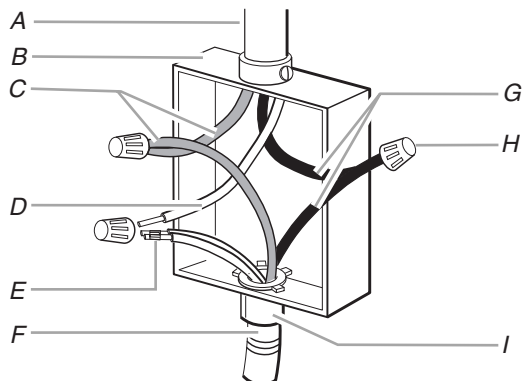


- A. Câble d'alimentation
- B. Conducteurs rouges
- C. Conducteurs verts (ou nus) de liaison à la terre
- D. Câble à 4 conducteurs depuis le four
- E. Boîtier de connexion
- F. Conducteurs blancs
- G. Connecteurs de fils (homologation UL)
- H. Conducteurs noirs
- I. Connecteur de conduit (homologation UL ou CSA)

- Connecter ensemble les 2 connecteurs noirs avec un connecteur de fils (homologation UL).
- Connecter ensemble les 2 connecteurs rouges avec un connecteur de fils (homologation UL).
- Déconnecter le conducteur vert (ou nu) de liaison à la terre et le conducteur blanc du four, connectés ensemble à l'usine.
- Connecter ensemble les 2 connecteurs blancs avec un connecteur de fils (homologation UL).
- Connecter le conducteur vert (ou nu) de liaison à la terre du câble du four au conducteur vert (ou nu) de liaison à la terre dans le boîtier de connexion - utiliser un connecteur de fils (homologation UL).
- Réinstaller le couvercle du boîtier de connexion.

Câble à 3 conducteurs depuis le point de distribution

IMPORTANT : Utiliser le câble à 3 conducteurs lorsque le code local en vigueur permet le raccordement entre le conducteur de liaison à la terre du châssis et le conducteur neutre (blanc) dans le boîtier de connexion :



A. Câble d'alimentation
B. Boîtier de connexion
C. Conducteurs rouges
D. Conducteur blanc (depuis point de distribution)
E. Conducteurs blanc et vert (ou nu) de liaison à la terre - connectés ensemble à l'usine

F. Câble à 4 conducteurs depuis le four
G. Conducteurs noirs
H. Connecteurs de fils (homologation UL)
I. Connecteur de conduit (homologation UL ou CSA)

1. Connecter ensemble les 2 connecteurs noirs avec un connecteur de fils (homologation UL).
2. Connecter ensemble les 2 connecteurs rouges avec un connecteur de fils (homologation UL).
3. Dans le boîtier de connexion, connecter ensemble les conducteurs blanc et vert (ou nu) de liaison à la terre du câble du four (déjà connectés ensemble) et le conducteur blanc (neutre) - utiliser un connecteur de fils (homologation UL).
4. Installer le couvercle du boîtier de connexion.
5. Reconnecter la source de courant électrique.

Installation du four

AVERTISSEMENT

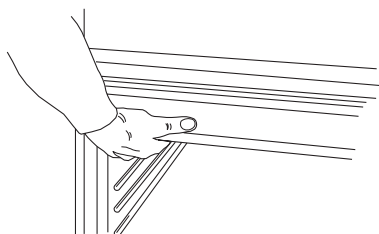
Risque du poids excessif

Utiliser deux ou plus de personnes pour déplacer et installer le four.

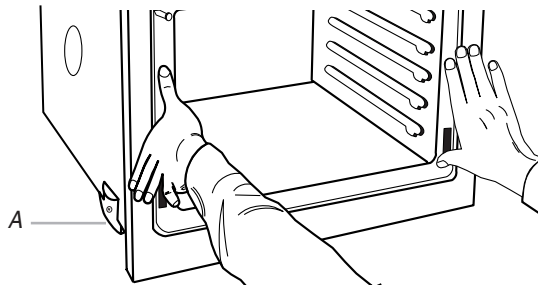
Le non-respect de cette instruction peut causer une blessure au dos ou d'autre blessure.

1. Soulever le four pour l'introduire dans l'ouverture d'installation dans le placard; utiliser le plafond du four comme zone de prise.

REMARQUE : Pousser le four pour l'introduire dans le placard, pousser contre la zone du joint du four sur le châssis avant. Ne pas pousser contre les bords externes.

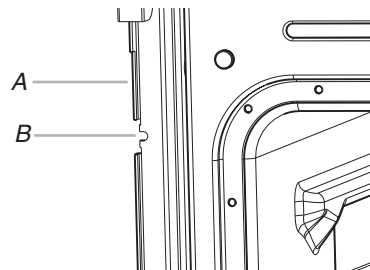


2. Pousser contre la zone du joint du châssis avant pour introduire le four dans le placard, jusqu'à ce que les pieds installés pour l'expédition soient presque au contact du placard.



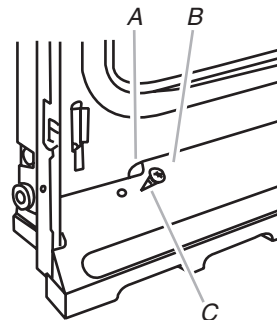
A. Pied installé pour l'expédition

3. Sur certains modèles, utiliser un tournevis Phillips pour ôter les vis fixant les pieds installés pour l'expédition.
4. Pousser complètement le four dans le placard; centrer le four dans la cavité du placard.
5. Fixer solidement le four sur les éléments du placard avec les vis fournies (2 pour un four simple, 4 pour un four double). Insérer les vis à travers les trous des rails de montage. Ne pas serrer excessivement les vis.



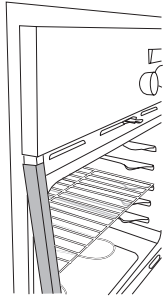
A. Rail de montage
B. Insérer la vis

6. Sur certains modèles, l'évent du four est immobilisé avec du ruban adhésif sur le côté du four. Pour l'installation, procéder selon les instructions suivantes.
 - a). Insérer les onglets de l'évent (B) dans les ouvertures (A) du châssis du four.
 - b). Fixer solidement l'évent sur le four - utiliser une vis (C) de chaque côté.

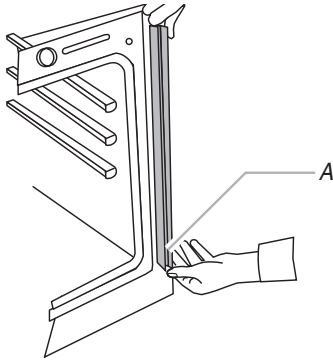


A. Ouverture dans le châssis du four
B. Onglet de l'évent
C. Vis

7. Faire glisser l'extrémité supérieure de chaque tringle de garniture, vers le haut, dans les rails latéraux du four.



8. Appuyer pour insérer chaque tringle de garniture et la mettre en place à l'extrémité inférieure.



A. Appuyer pour la mise en place de la tringle de garniture, et réinstaller la vis

9. Utiliser des vis pour fixer chaque élément de garniture sur le four.
10. Installer les grilles du four.
11. Réinstaller la porte du four - insérer les extrémités des charnières dans les ouvertures destinées à les recevoir sur le châssis du four.
12. Enfoncer les charnières aussi loin qu'elles peuvent aller, et ouvrir la porte du four. On doit percevoir le mouvement de mise en place de la porte du four.
13. Faire pivoter les deux charnières jusqu'à la position de verrouillage.
14. Effectuer quelques manœuvres de fermeture/ouverture de la porte du four pour vérifier le bon fonctionnement. En cas d'impossibilité d'ouverture ou fermeture parfaite de la porte, répéter le processus de dépose et réinstallation de la porte. Voir la section "Dépose des garnitures du four".
15. Répéter ceci pour la porte du four inférieur.
16. Reconnecter la source de courant électrique.

Achever l'installation

1. Vérifier que toutes les pièces sont maintenant installées. S'il reste une pièce, passer en revue les différentes étapes pour découvrir laquelle aurait été oubliée.
2. Vérifier la présence de tous les outils.
3. Jeter/recycler tous les matériaux d'emballage.
4. Pour le nettoyage du four, voir la section "Entretien du four" dans le Guide d'utilisation et d'entretien.
5. Lire la section "Utilisation du four" dans le Guide d'utilisation et d'entretien.

Vérification du fonctionnement du four simple

1. Mettre l'appareil sous tension. L'afficheur devrait indiquer "PF".
2. Appuyer sur CUSTOM BROIL (cuisson personnalisée au grill). "BROIL" apparaît sur l'affichage.
3. Appuyer sur START (mise en marche). S'assurer que la porte du four est fermée et que le témoin lumineux "ON" (marche) est allumé sur l'affichage.

Si le(s) four(s) ne fonctionne(nt) pas, contrôler ce qui suit :

- Fusible grillé ou desserré? Disjoncteur ouvert?
- Prise de courant correctement alimentée?
- Voir la section "Dépannage" dans le Guide d'utilisation et d'entretien.

4. Après 2 minutes de fonctionnement du four, évaluer l'échauffement au toucher.

Si aucune chaleur n'est ressentie ou si un "F" suivi d'un nombre apparaît sur l'affichage, éteindre le four et contacter un technicien qualifié.

5. Appuyer sur OFF/CANCEL (arrêt/annulation).

Vérification du fonctionnement du four double

1. Mettre l'appareil sous tension. L'afficheur devrait indiquer "PF".
2. Appuyer sur UPPER OVEN (four supérieur) ou LOWER OVEN (four inférieur) pour sélectionner le four à tester.
3. Répéter les étapes 2 à 5 dans "Vérification du fonctionnement du four simple".

Pour le réglage de l'horloge et d'autres fonctions du four, voir le Guide d'utilisation et d'entretien.

Si vous avez besoin d'assistance ou de service :

Veillez consulter la section "Assistance ou service" dans le Guide d'utilisation et d'entretien ou contacter le revendeur qui vous a vendu le four encastré.

8303647

© 2005 Whirlpool Corporation.
All rights reserved.
Tous droits réservés.

4/05
Printed in U.S.A.
Imprimé aux É.-U.