

EF24LWCZ1, EF24LWCZ2, EF24RWCZ1, EF24RWCZ2, EF24LBC, EF24RBC



062506

24" Built-In
Wine Coolers & Beverage Centers 1/1

PLANNING
GUIDE

LOCATION REQUIREMENTS

Operating Environment

- ◇ Do not install this appliance where it is hit by direct sunlight or near a stove, range top, radiator, or similar heat source.
- ◇ The appliance is set to operate within the room temperature limits listed below. These temperature limits should not be exceeded.

ROOM TEMPERATURE REQUIREMENTS FOR PROPER OPERATION
61°F to 90°F (16°C to 32°C)

Location and Cabinet Layout Requirements

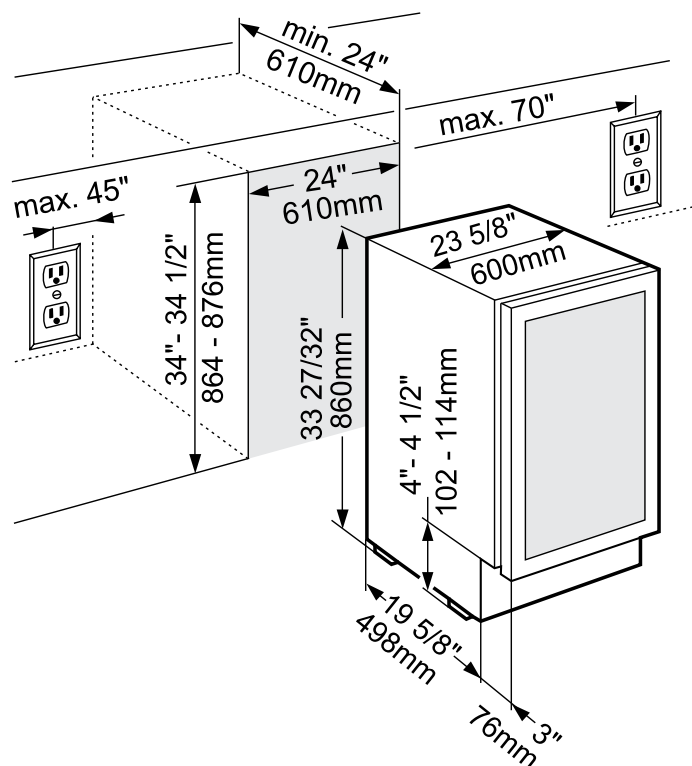
The Dacor wine cooler or beverage center can be recessed in an opening between cabinets or installed at the end of a cabinet run using a side panel to enclose it

IMPORTANT:

- ◇ The installation location should permit the door to open a minimum of 90°. The maximum angle the door can open is 105°.
- ◇ The appliance must be located so that the grill on the bottom is not obstructed.
- ◇ The electrical outlet must be accessible after installation so that the user can unplug the appliance.
- ◇ The floor under the appliance must be flat and level with the surrounding floor.

Cabinet Cut-Out and Product Dimensions

NOTE: The overall height of the appliance can be increased by 1 1/8" (28.6 mm) by adjusting the feet. The cut-out dimensions allow for additional clearance for sliding the appliance into its recess based on how you chose the final installation to look.



Dedicated Circuit Required	Total Connected Load
120VAC, 60Hz, 15A (Breaker)	0.1kW (1.2A)