

ELECTRIC BUILT-IN COOKTOPS 21" (53.3 CM), 30" (76.2 CM), AND 36" (91.4 CM) INSTALLATION INSTRUCTIONS

INSTRUCTIONS D'INSTALLATION DE LA TABLE DE CUISSON ÉLECTRIQUE ENCASTRÉE DE 21" (53,3 CM), 30" (76,2 CM), ET 36" (91,4 CM)

Table of Contents / Table des matières

BUILT-IN COOKTOP SAFETY	2	SÉCURITÉ DE LA TABLE DE CUISSON ENCASTRÉ	9
INSTALLATION INSTRUCTIONS	3	INSTRUCTIONS D'INSTALLATION	10
Tools and Parts	3	Outillage et pièces.....	10
Location Requirements	3	Exigences d'emplacement.....	10
Electrical Requirements	4	Spécifications électriques	11
Install Cooktop	5	Installation de la table de cuisson.....	13
Make Electrical Connection	7	Raccordement électrique.....	14
Complete Installation	8	Achever l'installation	16

IMPORTANT:

Installer: Leave installation instructions with the homeowner.

Homeowner: Keep installation instructions for future reference.

Save installation instructions for local electrical inspector's use.

IMPORTANT :

Installateur : Remettre les instructions d'installation au propriétaire.

Propriétaire : Conserver les instructions d'installation pour référence ultérieure.

Conserver les instructions d'installation pour consultation par l'inspecteur local des installations électriques.

BUILT-IN COOKTOP SAFETY

Your safety and the safety of others are very important.

We have provided many important safety messages in this manual and on your appliance. Always read and obey all safety messages.



This is the safety alert symbol.

This symbol alerts you to potential hazards that can kill or hurt you and others.

All safety messages will follow the safety alert symbol and either the word “DANGER” or “WARNING.”

These words mean:

 **DANGER**

You can be killed or seriously injured if you don't immediately follow instructions.

 **WARNING**

You can be killed or seriously injured if you don't follow instructions.

All safety messages will tell you what the potential hazard is, tell you how to reduce the chance of injury, and tell you what can happen if the instructions are not followed.

INSTALLATION INSTRUCTIONS

Tools and Parts

Gather the required tools and parts before starting installation.

Tools needed

- Tape measure
- Marker or pencil
- Flat-blade screwdriver
- Pliers

Parts supplied

- Clamp brackets (2)
- 2½" (6.4 cm) clamping screws (2)

Parts needed

- A UL listed or CSA approved conduit connector
- UL listed wire nuts

Check local codes. Check existing electrical supply. See "Electrical Requirements."

All electrical connections should be made by a licensed, qualified electrical installer.

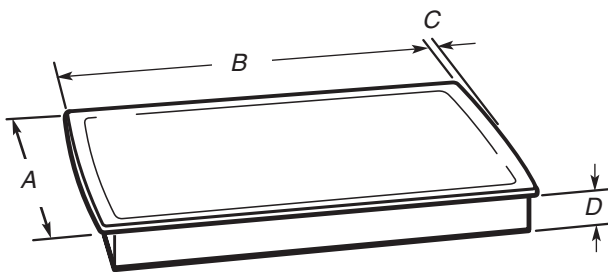
Location Requirements

Make sure you have everything needed for correct installation. It is the responsibility of the installer to comply with the installation clearances specified in these instructions.

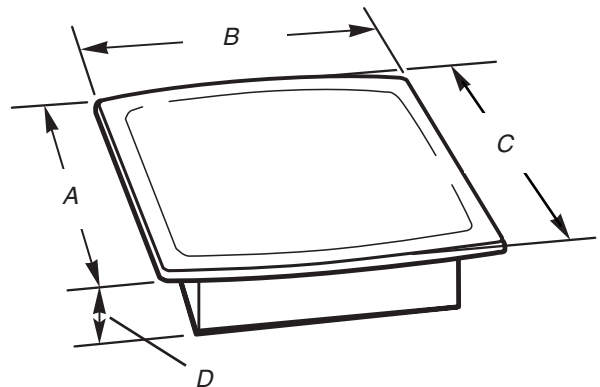
IMPORTANT: Observe all governing codes and ordinances. When installing cooktop, use minimum dimensions given.

- To eliminate the risk of burns or fire by reaching over the heated surface units, cabinet storage space located above the surface units should be avoided. If cabinet storage is to be provided, the risk can be reduced by installing a range hood that projects horizontally a minimum of 5" (12.7 cm) beyond the bottom of the cabinets.
- The cooktop must be a specified cooktop that is approved to be installed either alone or over an undercounter built-in oven. Check the cooktop burner box for an approved installation label. If you do not find this label, contact your dealer to confirm that your cooktop is approved.
- Ovens approved for this type of installation will have an approval label located on the top of the oven. If you do not find this label, contact your dealer to confirm that your oven is approved. Refer to oven manufacturer's Installation Instructions for approval for built-in undercounter use and proper cutout dimensions.
- When installing cooktop over an undercounter built-in oven, do not fasten cooktop to countertop with clamps. This will make the cooktop easier to remove if future servicing becomes necessary.
- The cooktop should be installed away from strong draft areas, such as windows, doors, fans or strong heating vents. The cooktop should be located for convenient use in the kitchen.
- Use the countertop opening dimensions that are given with these Installation Instructions. Given dimensions are minimum clearances and provide 0" (0 cm) clearance.
- Grounded electrical supply is required. See "Electrical Requirements" section.

Product Dimensions

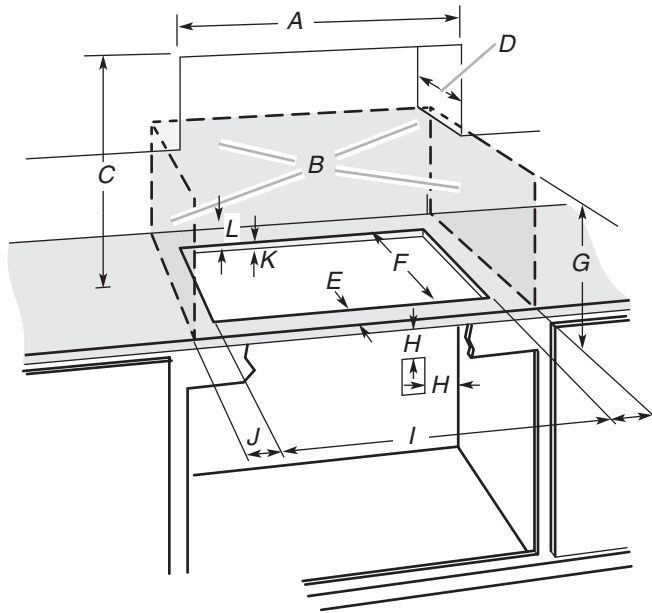


- A. 21" (53.3 cm)
- B. 30" (76.2 cm)
- 36" (91.4 cm)
- C. ¾" (1.9 cm)
- D. 2⅞" (7.3 cm)



- A. 16½" (41.9 cm)
- B. 21" (53.3 cm)
- C. 18" (47.7 cm) overall
- D. 2⅞" (7.3 cm)

Installation Clearances



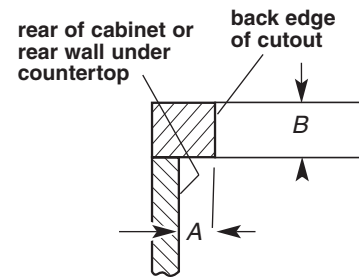
- A. 21" (53.3 cm) on 21" (53.3 cm) models; 30" (76.2 cm) models on 30" (76.2 cm) models; 36" (91.4 cm) on 36" (91.4 cm) models
- B. Combustible area above countertop (shown by dashed box above)
- C. 30" (76.2 cm) minimum clearance between top of cooktop platform and bottom of unprotected wood or metal cabinet (24" [61 cm] minimum clearance if bottom of wood or metal cabinet is protected by not less than ¼" [0.6 cm] flame retardant millboard covered with not less than No. 28 MSG sheet steel, 0.015" [0.04 cm] stainless steel or 0.024" [0.06 cm] aluminum or 0.020" [0.05 cm] copper)
- D. 13" (33 cm) recommended upper cabinet depth
- E. 3" (7.6 cm)
- F. 15½" (34.4 cm) on 21" (53.3 cm) models; 18⅝" (45.7 cm) on 30" (76.2 cm) models and 36" (91.4 cm) models
- G. 18" (45.7 cm) minimum clearance from upper cabinet to countertop within minimum horizontal clearances to cooktop
- H. Junction box or outlet; 12" (30.5 cm) minimum from bottom of countertop; 10" (25.4 cm) from right side of cabinet
- I. 18⅝" (33.7 cm) on 21" (53.3 cm) models; 28⅞" (47.3 cm) on 30" (76.2 cm) models; 35" (90.2 cm) on 36" (91.4 cm) models
- J. 1" (2.5 cm) minimum distance to nearest left and right side combustible surface above cooktop
- K. 1⅝" (3.4 cm) max. counter thickness on 21" (53.3 cm) models. See following illustration.
- L. 1" (2.5 cm) minimum clearance between back wall and countertop

NOTES: After making the countertop cutout, some installations may require notching down the base cabinet side walls to clear the burner box. To avoid this modification, use a base cabinet with sidewalls wider than the cutout.

If cabinet has a drawer, a 3" (7.6 cm) depth clearance from the countertop to the top of the drawer (or other obstruction) in base cabinet is required.

When installing a hood above this cooktop, follow the installation instructions included with the hood itself.

For 21" (53.3 cm) model only:



- A. 1⅝" (1.7 cm) min.
- B. 1⅝" (3.4 cm) max.

Electrical Requirements

240 volt Cooktop:

⚠ WARNING



Electrical Shock Hazard

Disconnect power before servicing.

Use 8 gauge copper wire.

Electrically ground cooktop.

Failure to follow these instructions can result in death, fire, or electrical shock.

If codes permit and a separate ground wire is used, it is recommended that a qualified electrical installer determine that the ground path and wire gauge are in accordance with local codes.

Do not ground to a gas pipe.

Check with a qualified electrical installer if you are not sure the cooktop is properly grounded.

Do not have a fuse in the neutral or ground circuit.

Make sure that the electrical connection and wire size are adequate and in conformance with the National Electrical Code, ANSI/NFPA 70-latest edition or CSA Standards C22.1-94, Canadian Electrical Code, Part 1 and C22.2 No. 0-M91-latest edition, and all local codes and ordinances.

A copy of the above code standards can be obtained from:

National Fire Protection Association
One Batterymarch Park
Quincy, MA 02269
CSA International
8501 East Pleasant Valley Road
Cleveland, OH 44131-5575


Before You Make the Electrical Connection:

To properly install your cooktop, you must determine the type of electrical connection you will be using and follow the instructions provided for it here.

- A 4-wire or 3-wire, single phase, 240 volt, 60 Hz., AC only electrical supply is required on a separate, 40-amp circuit, fused on both sides of the line.
NOTE: The 15" (38.1 cm) model series requires a 20-amp circuit.
- The cooktop should be connected directly to the junction box through flexible, armored or nonmetallic sheathed, copper cable. The flexible, armored cable extending from the fuse box or circuit breaker box should be connected directly to the junction box.
- Locate the junction box to allow as much slack as possible between the junction box and the cooktop so that the cooktop can be moved if servicing becomes necessary in the future.
- Do not cut the conduit. Use the length of conduit provided.
- A UL listed or CSA approved conduit connector must be provided at each end of the power supply cable (at the cooktop and at the junction box). A listed conduit connector is already provided at the cooktop.
- If the house has aluminum wiring, connect the aluminum wiring to the copper wire by using special connectors designed and UL listed for joining copper to aluminum. Follow the electrical connector manufacturer's recommended procedure. Aluminum/copper connection must conform with local codes and industry accepted wiring practices.

120 volt Cooktop:

⚠ WARNING



Electrical Shock Hazard

Plug into a grounded 3 prong outlet.
Do not remove ground prong.
Do not use an adapter.
Do not use an extension cord.
Failure to follow these instructions can result in death, fire, or electrical shock.

- A 120 volt, 60 Hz, AC only, 20-amp fuse, fused electrical supply is required. A time-delay fuse or circuit breaker is recommended. It is recommended that a separate circuit serving only this appliance be provided. A NEMA 5-20R, 3 prong grounding-type outlet must be used.

- For your personal safety, this cooktop must be grounded. This cooktop is equipped with a power supply cord having a NEMA 5-20P, 3 prong grounding plug. To minimize possible shock hazard, the cord must be plugged into a mating, NEMA 5-20R, 3 prong grounding-type outlet, grounded in accordance with the National Electrical Code, ANSI/NFPA 70 latest edition, and local codes and ordinances.
- If a mating outlet is not available, it is the personal responsibility and obligation of the customer to have a properly grounded, NEMA 5-20R, 3 prong outlet installed by a qualified electrician.

WARNING: Improper connection of the equipment grounding conductor can result in a risk of electric shock. Check with a qualified electrician or serviceman if you are in doubt as to whether the appliance is properly grounded. Do not modify the plug provided with the appliance, if it will not fit the outlet, have a proper outlet installed by a qualified electrician.

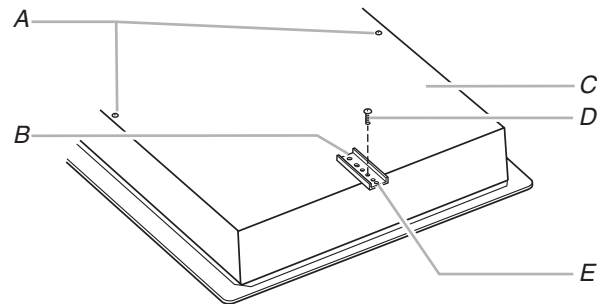
Install Cooktop

⚠ WARNING

Excessive Weight Hazard

Use two or more people to move and install cooktop.
Failure to do so can result in back or other injury.

1. Remove the shipping materials and tape from the cooktop. Remove the hardware package from inside the literature bag.
2. Using 2 or more people, place the cooktop upside down on a protective surface.



- A. Attachment screw holes for optional front and back location
- B. Clamp bracket (end locations recommended)
- C. Burner box bottom
- D. Attachment screw
- E. Attachment screw location (recommended)

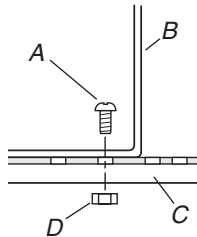
3. Two clamp brackets are provided to clamp the cooktop to the countertop. Install the clamp brackets on each end of the burner box bottom. If cabinet construction does not provide clearance for installing brackets at the burner box ends, install the brackets on the front and back of the burner box bottom.

NOTE: For lift top models, the brackets may be installed before or after the cooktop is placed into the cutout. However, installing the brackets after is not recommended for lift top models.

Installing Brackets Before Placing Cooktop in Cutout:

Standard Models

1. Remove elements and burner bowls, and place the cooktop on a protective surface.
2. Remove the attachment screws for the bracket locations selected from the bottom of the burner box.
3. Use the bracket mounting holes that will allow the clamp screws to contact the countertop bottom. Attach the brackets as shown then rotate brackets so that they do not extend beyond edge of burner box.



A. Nut
B. Screw
C. Burner box
D. Bracket

4. Tighten screws enough to hold brackets in place when the cooktop is put into the cutout.
5. Turn the cooktop right side up. Gently place it into the cutout.
IMPORTANT: Check that the front edge of the cooktop is parallel to the front edge of the countertop. If repositioning is needed, lift entire cooktop up from cutout to prevent scratching the countertop.
6. Loosen the screws. Rotate the brackets so that they extend beyond the edge of the burner box. Securely tighten the screws.

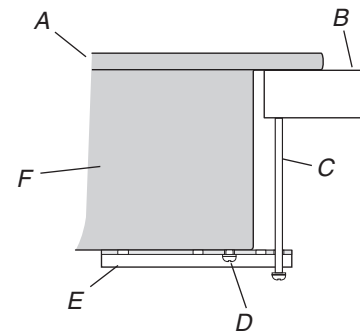
Lift Top Models

1. Place the cooktop right side up on the protective surface.
2. Remove the 2 Phillips round-head screws and hex nuts from the envelope.
3. Lift top and install round-head screws through the burner box and brackets so that the screw head is inside the burner box. Attach the hex nuts against the clamp brackets.
4. Tighten hex nuts enough to hold brackets in place when cooktop is put into the cutout.
IMPORTANT: Check that the front edge of the cooktop is parallel to the front edge of the countertop. If repositioning is needed, lift entire cooktop up from cutout to prevent scratching the countertop.
5. Loosen the screws. Rotate the brackets so that they extend beyond the edge of the burner box. Securely tighten the screws .

Installing Brackets After Placing Cooktop in Cutout:

NOTE: This method is not recommended for lift top models.

1. Gently place the cooktop into the cutout.
IMPORTANT: Check that the front edge of the cooktop is parallel to the front edge of the countertop. If repositioning is needed, lift entire cooktop up from cutout to prevent scratching the countertop.
2. Remove the attachment screws from the selected bracket locations on the bottom of the burner box.
3. Attach the brackets as shown so that they are beyond the edge of the burner box and the clamp screws will contact the countertop bottom. Tighten screws securely.
4. Place the 2½" (6.4 cm) clamping screws into the brackets. Use a screwdriver to tighten the screws against the countertop. Do Not Overtighten.

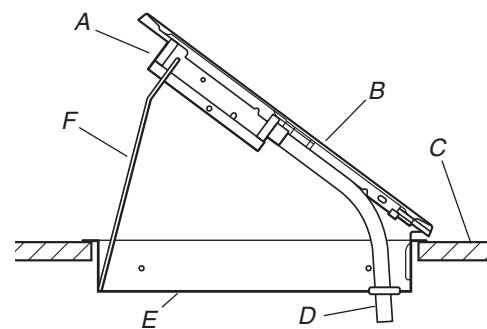


A. Cooktop
B. Countertop
C. 2½" (6.4 cm) clamping screw
D. Attachment screw
E. Bracket
F. Burner box

5. Make electrical connection. See "Make Electrical Connection" section."

For Lift Top models only:

1. Raise cooktop. This will ensure that enough slack is left after electrical connection to properly operate the lift top feature of the cooktop.




A. Switch box and cover
B. Cooktop
C. Countertop
D. Conduit
E. Burner box
F. Support rod

2. If installing the cooktop over a lower built-in oven, check that the cooktop lift top feature operates after oven installation is complete.
3. Reinstall the elements and burner bowls. Turn on the power supply.
4. Depending on your model, push in and turn each control knob to the "HI" position or touch "ON" and turn each control knob to the "HI" position. Check the operation of the cooktop elements and indicator lights.

Make Electrical Connection

For all models except 15" (38.1 cm) model:

⚠ WARNING



Electrical Shock Hazard

Disconnect power before servicing.


Use 8 gauge copper wire.

Electrically ground cooktop.

Failure to follow these instructions can result in death, fire, or electrical shock.

For 15" (38.1 cm) model only:

⚠ WARNING



Electrical Shock Hazard

Disconnect power before servicing.

Use 12 gauge copper wire.

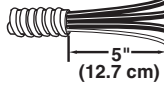
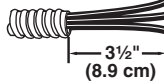
Electrically ground cooktop.

Failure to follow these instructions can result in death, fire, or electrical shock.

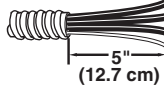
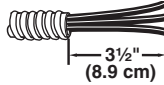
This cooktop is manufactured with a frame connected, green or bare ground wire. Connect the cooktop cable to the junction box through the UL listed or CSA approved conduit connector.

Electrical Connection Options

For cooktops with a 4-wire cable:

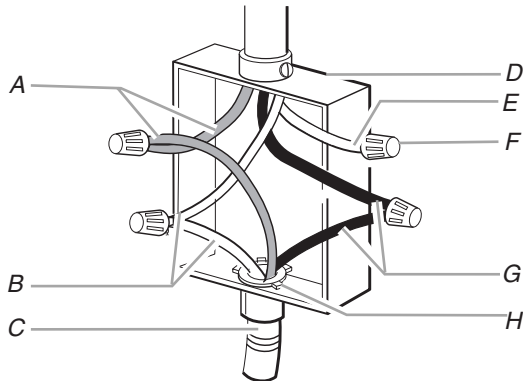
If your home has:	And you will be connecting to:	Go to Section:
4-wire direct 	A fused disconnect or circuit breaker box	4-Wire Cable from Power Supply to 4-Wire Cable from Cooktop
3-wire direct 	A fused disconnect or circuit breaker box	3-Wire Cable from Power Supply to 4-Wire Cable from Cooktop

For cooktops with a 3-wire cable:

If your home has:	And you will be connecting to:	Go to Section:
4-wire direct 	A fused disconnect or circuit breaker box	4-Wire Cable from Power Supply to 3-Wire Cable from Cooktop
3-wire direct 	A fused disconnect or circuit breaker box	3-Wire Cable from Power Supply to 3-Wire Cable from Cooktop

4-Wire Cable from Power Supply to 3-Wire Cable from Cooktop

IMPORTANT: Use the 4-wire cable from power supply where local codes do not permit connecting the frame-ground conductor to the neutral (white) junction box wire:

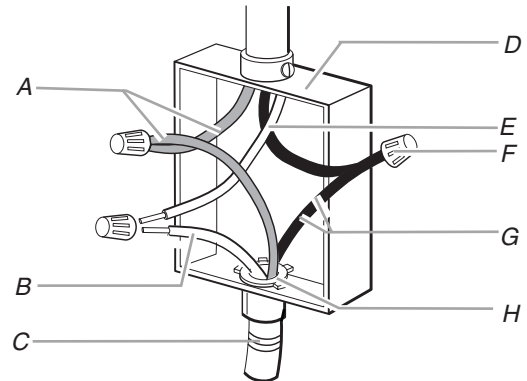


- | | |
|---|--|
| A. Red wires | E. White wire (from power supply) |
| B. Green or bare ground wire (from cooktop) | F. UL listed wire nut |
| C. 3-Wire cable from cooktop | G. Black wires |
| D. Junction box | H. UL listed or CSA approved conduit connector |

1. Disconnect power
2. Remove junction box cover if present.
3. Connect the flexible cable conduit from the cooktop to the junction box using a UL listed or CSA approved conduit connector.
4. Tighten screws on conduit connector, if present.
5. Connect the two black wires together using the UL listed wire nuts.
6. Connect the two red wires together using the UL listed wire nuts.
7. Connect the green or bare ground wire from the cooktop cable to the green or bare ground wire (in the junction box) using the UL listed wire nuts.
8. Put a UL listed wire nut on the end of the white wire.
NOTE: Do not connect the bare ground wire to the neutral (white) wire in the junction box.
9. Install junction box cover.
10. Reconnect power.

3-Wire Cable from Power Supply to 3-Wire Cable from Cooktop

IMPORTANT: Use the 3-wire cable from power supply where local codes permit connecting the frame-ground conductor to the neutral (white) junction box wire:



- | | |
|---|--|
| A. Junction box | E. 3-Wire cable from cooktop |
| B. Red wires | F. Black wires |
| C. White wire (from power supply) | G. UL listed wire nut |
| D. Green or bare ground wire (from cooktop) | H. UL listed or CSA approved conduit connector |

1. Disconnect power
2. Remove junction box cover, if present.
3. Connect the flexible cable conduit from the cooktop to the junction box using a UL listed or CSA approved conduit connector.
4. Tighten screws on conduit connector if present.
5. Connect the two black wires together using the UL listed wire nuts.
6. Connect the two red wires together using the UL listed wire nuts.
7. Connect the green or bare cooktop cable wires to the white (neutral) wire in the junction box using the UL listed wire nuts.
8. Install junction box cover.
9. Reconnect power.

Complete Installation

1. Check that all parts are now installed. If there is an extra part, go back through the steps to see which step was skipped.
2. Dispose of/recycle all packaging materials.
3. Use a mild solution of liquid household cleaner and warm water to remove waxy residue caused by protective shipping material. Dry thoroughly with a soft cloth. For more information, see the "Cooktop Care" section of the Use and Care Guide.
4. Read "Cooktop Use" in the cooktop Use and Care Guide.

NOTE: If the cooktop does not work after turning on the power, check that a circuit breaker has not tripped or a household fuse has not blown. See "Troubleshooting" section in the Use and Care Guide for further information.

If you need Assistance or Service:

Please reference the "Assistance or Service" section of the Use and Care Guide or contact the dealer from whom you purchased your cooktop.

SÉCURITÉ DE LA TABLE DE CUISSON ENCASTRÉ

Votre sécurité et celle des autres est très importante.

Nous donnons de nombreux messages de sécurité importants dans ce manuel et sur votre appareil ménager. Assurez-vous de toujours lire tous les messages de sécurité et de vous y conformer.



Voici le symbole d'alerte de sécurité.

Ce symbole d'alerte de sécurité vous signale les dangers potentiels de décès et de blessures graves à vous et à d'autres.

Tous les messages de sécurité suivront le symbole d'alerte de sécurité et le mot "DANGER" ou "AVERTISSEMENT". Ces mots signifient :

⚠ DANGER

Risque possible de décès ou de blessure grave si vous ne suivez pas immédiatement les instructions.

⚠ AVERTISSEMENT

Risque possible de décès ou de blessure grave si vous ne suivez pas les instructions.

Tous les messages de sécurité vous diront quel est le danger potentiel et vous disent comment réduire le risque de blessure et ce qui peut se produire en cas de non-respect des instructions.

INSTRUCTIONS D'INSTALLATION

Outillage et pièces

Rassembler les outils et pièces nécessaires avant de commencer l'installation.

Outils nécessaires

- Mètre-ruban
- Marqueur ou crayon
- Tournevis à lame plate
- Pince

Pièces fournies

- Brides de fixation (2)
- Vis de fixation de 2½" (6,4 cm) (2)

Pièces nécessaires

- Un connecteur de conduit - homologation UL ou CSA
- Connecteurs de fils - homologation UL

Consulter les codes locaux. Inspecter la source d'électricité disponible. Voir "Spécifications électriques".

Toute opération sur les circuits électriques doit être exécutée par un installateur/électricien qualifié et certifié.

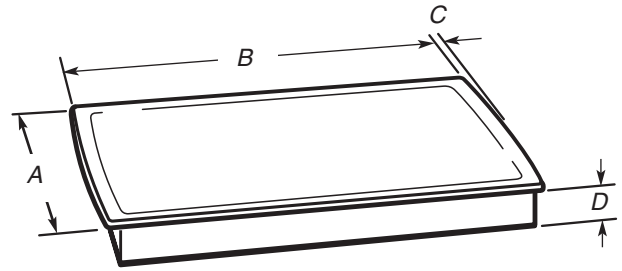
Exigences d'emplacement

S'assurer d'avoir tout le nécessaire pour une installation convenable. C'est à l'installateur qu'incombe la responsabilité de se conformer aux espacements d'installation spécifiés dans ces instructions.

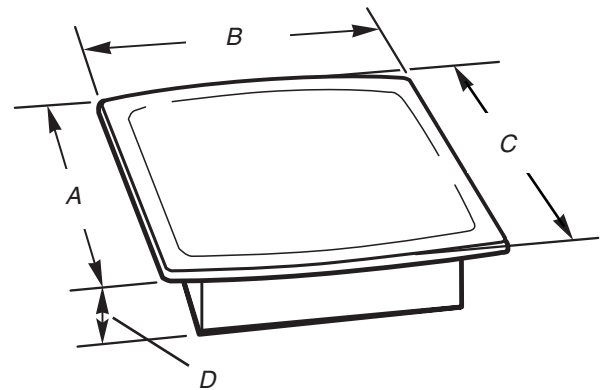
IMPORTANT : Observer les dispositions de tous les codes et règlements en vigueur. Lors de l'installation de la table de cuisson, utiliser les dimensions minimum indiquées.

- Afin de supprimer le risque de brûlures ou d'incendie en se penchant au-dessus des unités de surface chauffées, le rangement en armoire au-dessus des unités de surface doit être évité. Si le rangement en armoire est envisagé, le risque peut être réduit par l'installation d'une hotte de cuisine opérant horizontalement sur un minimum de 5" (12,7 cm) au-delà du bas des armoires.
- La table de cuisson doit être spécifique, et son installation approuvée seule ou sur un four encastré sous comptoir. Vérifier que la boîte des brûleurs comporte une étiquette d'installation approuvée. Si vous ne trouvez pas cette étiquette, contactez votre vendeur pour confirmer que votre table de cuisson est bien approuvée.
- Les fours approuvés pour ce type d'installation comportent une étiquette d'approbation située sur le dessus du four. Si vous ne trouvez pas cette étiquette, contactez votre vendeur pour confirmer que votre four est bien approuvé. Consulter les Instructions d'installation du fabricant du four pour obtenir l'approbation de l'utilisation en encastrement et les dimensions correctes.
- Lors de l'installation de la table de cuisson sur un four encastré sous comptoir, ne pas fixer la table de cuisson sur le dessus du comptoir avec des brides. Ceci facilitera la dépose de la table de cuisson plus tard en cas de besoin de réparation.
- La table de cuisson doit être installée à l'écart des zones de forts courants d'air, telles que fenêtres, portes et événements ou ventilateurs de chauffage puissants. La table de cuisson doit être installée à un endroit pratique dans la cuisine.
- Utiliser les dimensions d'ouverture du plan de travail qui sont indiquées dans ces Instructions d'installation. Les dimensions données sont les espacements minimums de 0" (0 cm).
- Une source d'électricité avec liaison à la terre est nécessaire. Voir la section "Spécifications électriques".

Dimensions du produit

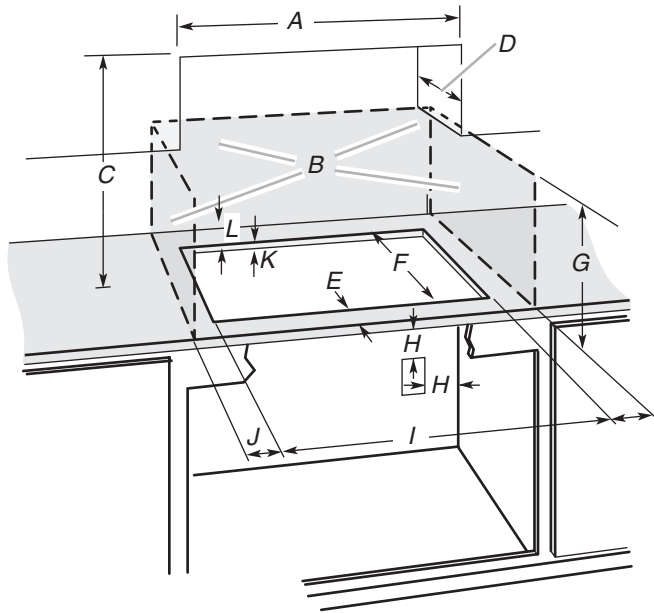


- A. 21" (53,3 cm)
- B. 30" (76,2 cm)
- 36" (91,4 cm)
- C. ¾" (1,9 cm)
- D. 2⅞" (7,3 cm)



- A. 16½" (41,9 cm)
- B. 21" (53,3 cm)
- C. 18" (47,7 cm) hors-tout
- D. 2⅞" (7,3 cm)

Dégagements de séparation à respecter



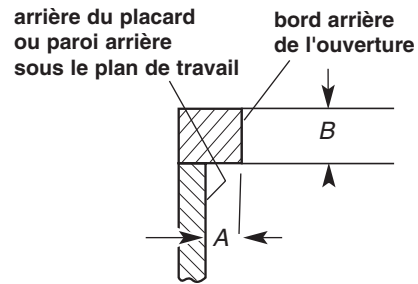
- A. 21" (53,3 cm) sur les modèles de 21" (53,3 cm); 30" (76,2 cm) sur les modèles de 30" (76,2 cm); 36" (91,4 cm) sur les modèles de 36" (91,4 cm)
- B. Zone de matière combustible au-dessus du plan de travail (espace délimité par des lignes pointillées ci-dessus)
- C. Distance de séparation de 30" (76,2 cm) ou plus entre la partie supérieure de la plate-forme de la table de cuisson et le fond d'un placard métallique ou de bois non protégé (distance de séparation de 24" [61 cm] ou plus si le fond du placard de métal ou de bois est protégé par une plaque de 1/4" [0,6 cm] ou plus de matériau résistant aux flammes recouvert d'une feuille métallique d'épaisseur égale ou supérieure à calibre 28 pour l'acier, 0,015" [0,04 cm] pour l'acier inoxydable, ou 0,024" [0,06 cm] pour l'aluminium ou 0,020" [0,05 cm] pour le cuivre)
- D. Profondeur recommandée des placards muraux 13" (33 cm)
- E. 3" (7,6 cm)
- F. 15 1/2" (34,4 cm) sur les modèles de 21" (53,3 cm); 18 5/8" (45,7 cm) sur les modèles de 30" (76,2 cm) et les modèles de 36" (91,4 cm)
- G. Distance de séparation de 18" (45,7 cm) ou plus entre placards muraux et plan de travail avec distance minimale de séparation horizontale pour la table de cuisson
- H. Boîte de connexion ou prise; 12" (30,5 cm) minimum à partir du bas du plan de travail; 10" (25,4 cm) à partir du côté droit du placard
- I. 18 5/8" (33,7 cm) sur les modèles de 21" (53,3 cm); 28 7/8" (47,3 cm) sur les modèles de 30" (76,2 cm); 35" (90,2 cm) sur les modèles de 36" (91,4 cm)
- J. Distance de séparation de 1" (2,5 cm) ou plus par rapport à la surface de matériau combustible la plus proche, à gauche ou à droite au-dessus de la table de cuisson
- K. 1 5/16" (3,4 cm) max. d'épaisseur du plan de travail sur les modèles de 21" (53,3 cm). Voir l'illustration ci-dessous.
- L. Distance de séparation de 1" (2,5 cm) ou plus entre la paroi arrière et le plan de travail

REMARQUES : Après le découpage de l'ouverture dans le plan de travail, dans certaines configurations d'installation il sera nécessaire d'entailler les parois latérales du placard inférieur pour le passage de la boîte des brûleurs. Pour éviter cette modification, utiliser un placard inférieur dont la largeur des parois latérales est supérieure à celle de l'ouverture découpée.

Si le placard comporte un tiroir, on devra ménager une distance de séparation de 3" (7,6 cm) ou plus entre le plan de travail et le sommet du tiroir (ou autre obstruction) dans le placard inférieur.

En cas d'installation d'une hotte au-dessus de cette table de cuisson, suivre les instructions d'installation fournies avec la hotte.

Pour le modèle de 21" (53,3 cm) seulement :



- A. 1 1/16" (1,7 cm) min.
- B. 1 5/16" (3,4 cm) max.

Spécifications électriques

Table de cuisson de 240 volts :

⚠ AVERTISSEMENT



Risque de choc électrique

Déconnecter la source de courant électrique avant d'entreprendre le travail.

Utiliser du fil de cuivre de calibre 8.

Relier la table de cuisson à la terre.

Le non-respect de ces instructions peut causer un décès, un incendie ou un choc électrique.

Si on utilise un conducteur distinct de liaison à la terre lorsque les codes le permettent, il est recommandé qu'un électricien qualifié vérifie que la liaison à la terre et le calibre pour fils sont conformes aux codes locaux.

Ne pas utiliser une tuyauterie de gaz pour le raccordement à la terre.

Vérifier avec un électricien qualifié si vous avez des doutes quant à la qualité de la liaison à la terre de la table de cuisson.

Ne pas installer un fusible dans le conducteur neutre ou le conducteur de liaison à la terre.

S'assurer que la connexion électrique et le calibre des fils sont appropriés et conformes au National Electrical Code, aux normes ANSI/NFPA 70 - dernière édition, ou aux normes CSA C22.1-94, au Code canadien de l'électricité, Partie 1 et C22.2 N° O-M91 - dernière édition, et à tous les codes et règlements locaux.

Pour obtenir un exemplaire de la norme des codes ci-dessus, contacter :

National Fire Protection Association
One Batterymarch Park
Quincy, MA 02269
CSA International
8501 East Pleasant Valley Road
Cleveland, OH 44131-5575

Avant d'établir la connexion électrique :

Pour installer la table de cuisson correctement, il faut établir le type de raccords électriques que l'on utilisera et suivre les instructions indiquées ici.

- L'appareil doit être alimenté uniquement par un circuit monophasé de 240 V CA seulement, 60 Hz à 4 fils ou 3 fils, sur un circuit séparé de 40 ampères, fusionné aux deux extrémités de la ligne.
REMARQUE : Le modèle de 15" (38,1 cm) nécessite un circuit de 20 ampères.
- La table de cuisson doit être raccordée directement à la boîte de connexion par l'intermédiaire d'un câble flexible à conducteur de cuivre (avec blindage ou gaine non métallique). Le câble blindé flexible sortant du boîtier de distribution (fusible ou disjoncteur) doit être raccordé directement à la boîte de connexion.
- Repérer la boîte de connexion pour laisser le plus d'espace possible entre celle-ci et la table de cuisson pour pouvoir déplacer la table de cuisson en cas de besoin de réparation à l'avenir.
- Ne pas couper le conduit. Utiliser toute la longueur du conduit fourni.
- Un connecteur de conduit homologué UL ou CSA doit être fourni à chaque extrémité du câble d'alimentation électrique (à la table de cuisson et à la boîte de connexion). Un connecteur de conduit homologué est déjà fourni à la table de cuisson.
- Si le domicile est équipé d'un câblage en aluminium, le connecter au fil de cuivre en utilisant les connecteurs spécialement conçus et homologués UL pour raccorder le cuivre à l'aluminium. Appliquer la procédure recommandée par le fabricant des connecteurs. La connexion aluminium/cuivre doit être conforme aux codes locaux et aux pratiques acceptées par l'industrie.

Table de cuisson de 120 volts :

AVERTISSEMENT



Risque de choc électrique

Brancher sur une prise à 3 alvéoles reliée à la terre.

Ne pas enlever la broche de liaison à la terre.

Ne pas utiliser un adaptateur.

Ne pas utiliser un câble de rallonge.

Le non-respect de ces instructions peut causer un décès, un incendie ou un choc électrique.

- L'appareil doit être alimenté par un circuit de 120 V CA seulement, 60 Hz, 20 ampères, protégé par fusible. On recommande d'utiliser un fusible ou un disjoncteur temporisé. Il est recommandé de raccorder l'appareil sur un circuit distinct exclusif à cet appareil. On doit utiliser une prise de courant à 3 broches, reliée à la terre, NEMA 5-20R.
- Pour votre propre sécurité, cette table de cuisson doit être mise à la terre. Cette table de cuisson comporte un cordon d'alimentation électrique à trois broches NEMA 5-20P pour liaison à la terre. Pour minimiser les risques de choc électrique, le cordon d'alimentation électrique doit être branché sur une prise de courant murale correspondante, NEMA 5-20R à trois alvéoles, mise à la terre conformément au Code national de l'électricité, aux normes ANSI/NFPA 70 - dernière édition, et aux codes et règlements locaux.
- Si une prise de courant de configuration correspondante n'est pas disponible, le client a la responsabilité et l'obligation de faire installer par un électricien qualifié une prise de courant NEMA 5-20R à 3 alvéoles, correctement reliée à la terre.

AVERTISSEMENT : Un raccordement inapproprié du conducteur de liaison à la terre peut causer un risque de choc électrique. Vérifier avec un électricien ou un technicien qualifié si vous avez des doutes quant à la qualité de la liaison à la terre de l'appareil. Ne pas modifier la fiche fournie avec l'appareil; si elle ne s'adapte pas à la prise, faire installer une prise appropriée par un électricien qualifié.

Installation de la table de cuisson

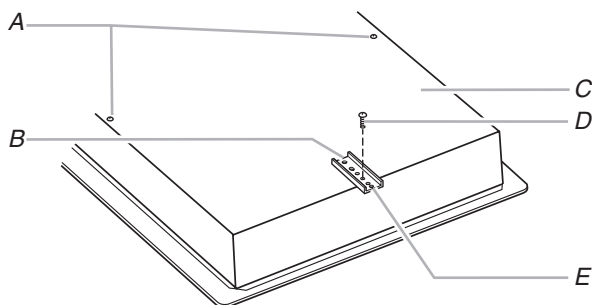
⚠ AVERTISSEMENT

Risque du poids excessif

Utiliser deux ou plus de personnes pour déplacer et installer la table de cuisson.

Le non-respect de cette instruction peut causer une blessure au dos ou d'autre blessure.

1. Enlever les matériaux d'expédition et le ruban adhésif de la table de cuisson. Enlever le matériel à l'intérieur du sachet de documentation.
2. À deux personnes ou plus, placer la table de cuisson à l'envers sur une surface protectrice.



A. Trous de vis d'attache pour emplacement facultatif à l'avant et à l'arrière

B. Bride de fixation (emplacements aux extrémités recommandés)

C. Partie inférieure de la boîte de brûleur

D. Vis d'attache

E. Emplacement (recommandé) de la vis d'attache

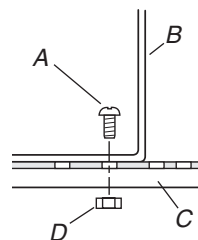
3. Deux brides de fixation sont fournies pour fixer la table de cuisson au plan de travail. Installer les brides de fixation sur chaque extrémité de la partie inférieure de la boîte de brûleur. Si l'installation des placards ne fournit pas le dégagement nécessaire pour l'installation des brides aux extrémités de la boîte de brûleur, installer les brides à l'avant et à l'arrière de la partie inférieure de la boîte de brûleur.

REMARQUE : Sur les modèles à dessus relevable, les brides peuvent être installées avant ou après le positionnement de la table de cuisson dans l'ouverture. Cependant, l'installation postérieure des brides n'est pas recommandée pour les modèles à dessus relevable.

Installation des brides avant de positionner la table de cuisson dans l'ouverture :

Modèles standard

1. Ôter les éléments et cuvettes des brûleurs et placer la table de cuisson sur une surface protectrice.
2. Enlever les vis d'attache pour les emplacements de brides sélectionnés dans la partie inférieure de la boîte de brûleur.
3. Utiliser les trous de montage des brides qui permettront aux vis de fixation d'être en contact avec la partie inférieure du plan de travail. Fixer les brides - voir l'illustration - puis les faire tourner de façon à ce qu'elles ne dépassent pas du bord de la boîte de brûleur.



A. Écrou

B. Vis

C. Boîte de brûleur

D. Bride

4. Serrer les vis juste assez pour maintenir les brides en place lorsque la table de cuisson est positionnée dans l'ouverture.
5. Tourner le côté droit de la table de cuisson vers le haut. Positionner la table de cuisson délicatement dans l'ouverture.
IMPORTANT : Vérifier que le bord avant de la table de cuisson est parallèle au bord avant du plan de travail. S'il est nécessaire de repositionner la table de cuisson, la soulever entièrement de l'ouverture pour éviter d'endommager le plan de travail.
6. Desserrer les vis. Faire tourner les brides de façon à ce qu'elles dépassent du bord de la boîte de brûleur. Bien serrer les vis.

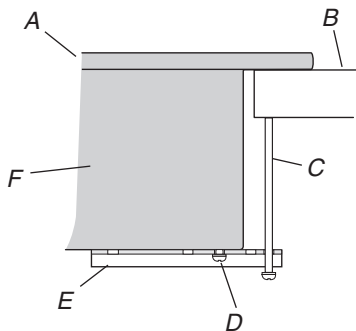
Modèles à dessus relevable

1. Placer la table de cuisson sur la surface protectrice, côté droit vers le haut.
2. Ôter les deux vis Phillips à tête ronde et les écrous hexagonaux de l'enveloppe.
3. Soulever le dessus et installer les vis à tête ronde à travers la boîte de brûleur et les brides de façon à ce que la tête de vis se trouve à l'intérieur de la boîte de brûleur. Fixer les écrous hexagonaux contre les brides de fixation.
4. Serrer les écrous hexagonaux juste assez pour maintenir les brides en place lorsque la table de cuisson est positionnée dans l'ouverture.
IMPORTANT : Vérifier que le bord avant de la table de cuisson est parallèle au bord avant du plan de travail. S'il est nécessaire de repositionner la table de cuisson, la soulever entièrement de l'ouverture pour éviter d'endommager le plan de travail.
5. Desserrer les vis. Faire tourner les brides de façon à ce qu'elles dépassent du bord de la boîte de brûleur. Bien serrer les vis.

Installation des brides après avoir positionné la table de cuisson dans l'ouverture :

REMARQUE : Cette méthode n'est pas recommandée pour les modèles à dessus relevable.

- Positionner délicatement la table de cuisson dans l'ouverture.
IMPORTANT : Vérifier que le bord avant de la table de cuisson est parallèle au bord avant du plan de travail. S'il est nécessaire de repositionner la table de cuisson, la soulever entièrement de l'ouverture pour éviter d'endommager le plan de travail.
- Enlever les vis d'attache des emplacements de brides sélectionnés dans la partie inférieure de la boîte de brûleur.
- Fixer les brides de façon à ce qu'elles dépassent du bord de la boîte de brûleur et que les vis de fixation soient en contact avec la partie inférieure du plan de travail - voir l'illustration. Bien serrer les vis.
- Placer les vis de fixation de 2½" (6,4 cm) dans les brides. À l'aide d'un tournevis, serrer les vis sur le plan de travail. Ne pas serrer excessivement.

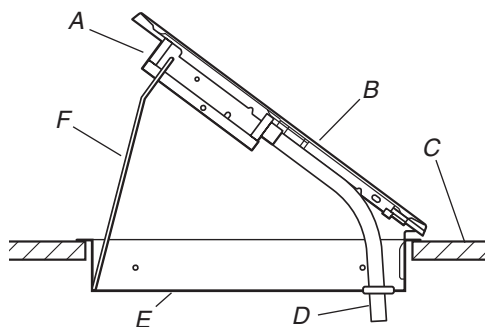


A. Table de cuisson
B. Plan de travail
C. Vis de fixation de 2½" (6,4 cm)
D. Vis d'attache
E. Bride
F. Boîte de brûleur

- Effectuer le raccordement électrique. Voir la section "Raccordement électrique".

Pour les modèles à dessus relevable seulement :

- Relever la table de cuisson. Ceci permettra de laisser suffisamment d'espace pour faire fonctionner correctement la caractéristique de dessus relevable de la table de cuisson une fois que le raccordement électrique sera effectué.



A. Boîte d'interrupteur et cache
B. Table de cuisson
C. Plan de travail
D. Conduit
E. Boîte de brûleur
F. Tige de support

- En cas d'installation de la table de cuisson sur un four encastré plus bas, vérifier que la caractéristique de dessus relevable de la table de cuisson fonctionne toujours une fois l'installation du four terminée.

- Réinstaller les éléments et cuvettes des brûleurs. Rétablir l'alimentation électrique.
- Selon votre modèle, appuyer sur chaque bouton de commande et le tourner à la position "HI" (élevé) ou appuyer sur "ON" (marche) et tourner chaque bouton de commande à la position "HI". Contrôler le fonctionnement des éléments de la table de cuisson et des témoins lumineux.

Raccordement électrique

Pour tous les modèles sauf le modèle de 15" (38,1 cm) :

⚠ AVERTISSEMENT



Risque de choc électrique

Déconnecter la source de courant électrique avant d'entreprendre le travail.

Utiliser du fil de cuivre de calibre 8.

Relier la table de cuisson à la terre.

Le non-respect de ces instructions peut causer un décès, un incendie ou un choc électrique.

Pour le modèle de 15" (38,1 cm) seulement :

⚠ AVERTISSEMENT



Risque de choc électrique

Déconnecter la source de courant électrique avant d'entreprendre le travail.

Utiliser du fil de cuivre de calibre 12.

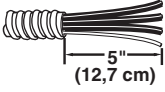
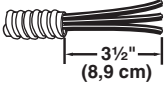
Relier la table de cuisson à la terre.

Le non-respect de ces instructions peut causer un décès, un incendie ou un choc électrique.

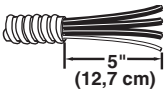
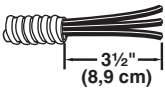
Un conducteur vert ou nu de liaison à la terre est connecté au châssis de la table de cuisson lors de la fabrication. Raccorder le câble de la table de cuisson au boîtier de connexion à l'aide du connecteur de conduit homologué UL ou CSA.

Options de raccordement électrique

Pour les tables de cuisson avec câble à 4 conducteurs :

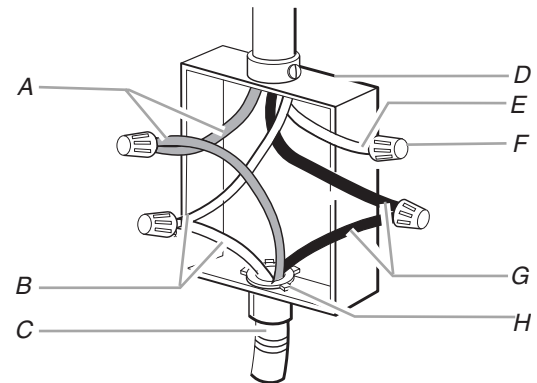
Câblage de la maison :	Point de distribution :	Voir la section suivante :
Direct - 4 conducteurs 	Boîte de disjoncteur ou coupe-circuit avec fusible	Du câble à 4 conducteurs depuis le point de distribution au câble à 4 conducteurs depuis la table de cuisson
Direct - 3 conducteurs 	Boîte de disjoncteur ou coupe-circuit avec fusible	Du câble à 3 conducteurs depuis le point de distribution au câble à 4 conducteurs depuis la table de cuisson

Pour les tables de cuisson avec câble à 3 conducteurs :

Câblage de la maison :	Point de distribution :	Voir la section suivante :
Direct - 4 conducteurs 	Boîte de disjoncteur ou coupe-circuit avec fusible	Du câble à 4 conducteurs depuis le point de distribution au câble à 3 conducteurs depuis la table de cuisson
Direct - 3 conducteurs 	Boîte de disjoncteur ou coupe-circuit avec fusible	Du câble à 3 conducteurs depuis le point de distribution au câble à 3 conducteurs depuis la table de cuisson

Du câble à 4 conducteurs depuis le point de distribution au câble à 3 conducteurs depuis la table de cuisson

IMPORTANT : Si les codes locaux ne permettent pas le raccordement du conducteur de liaison à la terre au conducteur blanc (neutre) dans le boîtier de connexion, utiliser le câble à 4 conducteurs provenant du point de distribution :

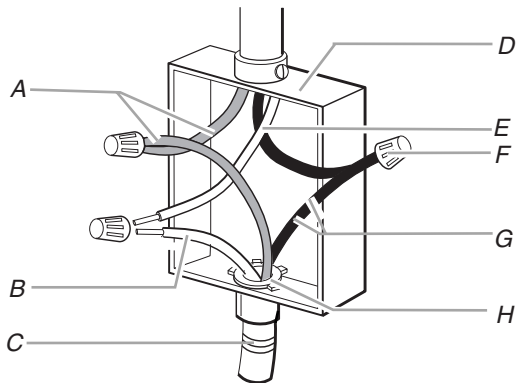


- A. Conducteurs rouges
- B. Conducteur vert ou nu de liaison à la terre (depuis la table de cuisson)
- C. Câble à 3 conducteurs depuis la table de cuisson
- D. Boîtier de connexion
- E. Conducteur blanc (depuis le point de distribution)
- F. Connecteur de fils (homologation UL)
- G. Conducteurs noirs
- H. Connecteur de conduit (homologation UL ou CSA)

1. Déconnecter la source de courant électrique.
 2. Le cas échéant, enlever le couvercle du boîtier de connexion.
 3. Avec le connecteur de conduit (homologation UL ou CSA), connecter le conduit de câble flexible de la table de cuisson au boîtier de connexion.
 4. Serrer les vis du connecteur de conduit, le cas échéant.
 5. Connecter ensemble les deux connecteurs noirs avec un connecteur de fils (homologation UL).
 6. Connecter ensemble les deux connecteurs rouges avec le connecteur de fils (homologation UL).
 7. Connecter le conducteur vert ou nu de liaison à la terre du câble de la table de cuisson avec le conducteur vert ou nu de liaison à la terre (dans le boîtier de connexion) avec un connecteur de fils (homologation UL).
 8. Placer un connecteur de fils (homologation UL) à l'extrémité du conducteur blanc.
- REMARQUE :** Ne pas connecter le conducteur nu de liaison à la terre au conducteur neutre (blanc) dans le boîtier de connexion.
9. Installer le couvercle du boîtier de connexion.
 10. Reconnecter la source de courant électrique.

Du câble à 3 conducteurs depuis le point de distribution au câble à 3 conducteurs depuis la table de cuisson

IMPORTANT : Utiliser le câble à 3 conducteurs lorsque le code local en vigueur permet le raccordement entre le conducteur de liaison à la terre du châssis et le conducteur neutre (blanc) dans le boîtier de connexion :



- | | |
|---|---|
| A. Boîtier de connexion | E. Câble à 3 conducteurs depuis la table de cuisson |
| B. Conducteurs rouges | F. Conducteurs noirs |
| C. Conducteur blanc (depuis le point de distribution) | G. Connecteur de fils (homologation UL) |
| D. Conducteur vert ou nu de liaison à la terre (depuis la table de cuisson) | H. Connecteur de conduit (homologation UL ou CSA) |

1. Déconnecter la source de courant électrique.
2. Enlever le couvercle du boîtier de connexion, le cas échéant.
3. Avec le connecteur de conduit (homologation UL ou CSA), connecter le conduit de câble flexible de la table de cuisson au boîtier de connexion.
4. Serrer les vis du connecteur de conduit, le cas échéant.
5. Connecter ensemble les deux connecteurs noirs avec un connecteur de fils (homologation UL).
6. Connecter ensemble les deux connecteurs rouges avec le connecteur de fils (homologation UL).
7. Connecter le conducteur vert ou nu de la table de cuisson au conducteur blanc (neutre) dans le boîtier de connexion avec un connecteur de fils (homologation UL).
8. Installer le couvercle du boîtier de connexion.
9. Reconnecter la source de courant électrique.

Achever l'installation

1. Vérifier que toutes les pièces sont maintenant installées. S'il reste une pièce, passer en revue les différentes étapes pour découvrir laquelle aurait été oubliée.
2. Jeter/recycler tous les matériaux d'emballage et les pièces inutilisées.
3. Utiliser une solution douce de nettoyant ménager liquide et de l'eau tiède pour enlever tout résidu de cire causé par le matériel d'expédition de protection. Sécher à fond avec un linge doux. Pour plus de renseignements, voir la section "Entretien de la table de cuisson" du Guide d'utilisation et d'entretien.
4. Lire "Utilisation de la table de cuisson" dans le Guide d'utilisation et d'entretien de la table de cuisson.

REMARQUE : Si la table de cuisson ne fonctionne pas une fois l'alimentation branchée, vérifier que le disjoncteur n'est pas déclenché ou que les fusibles ne sont pas grillés. Voir la section "Dépannage" dans le Guide d'utilisation et d'entretien pour plus de renseignements.

Si vous avez besoin d'assistance ou de service :

Se référer à la section "Assistance ou service" du Guide d'utilisation et d'entretien ou contacter le marchand chez qui la table de cuisson a été achetée.