

# WSXH208H

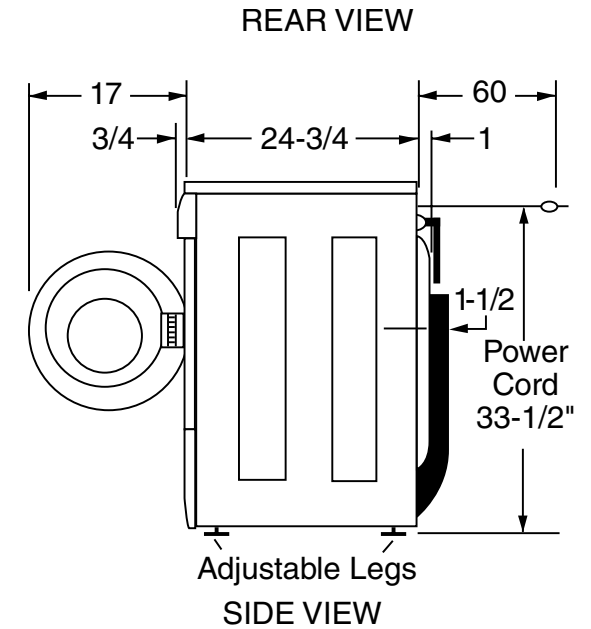
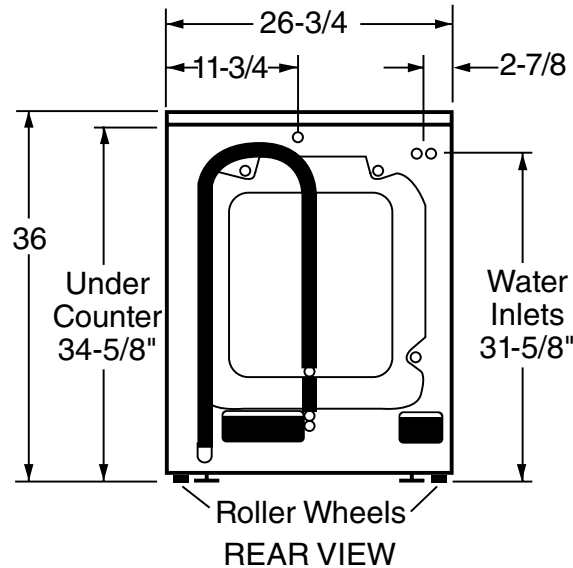
## GE® ENERGY STAR® Extra-Large 3.1 Cu. Ft. Capacity Frontload Washer

### Dimensions and Installation Information (in inches)

**Circuit Requirements:** An individual, properly-grounded branch circuit, with a three-prong grounding-type receptacle, protected by a 15 or 20 amp circuit breaker or a time-delay fuse, is required.

**Electrical Rating:** 120V, 60Hz, 12.0A

See Installation Instructions, packed with the product, for complete dimensional data.



For answers to your Monogram®, GE Profile™ or GE® appliance questions, visit our website at [ge.com](http://ge.com) or call GE Answer Center® service, 800.626.2000.



# WSXH208H

## GE® ENERGY STAR® Extra-Large 3.1 Cu. Ft. Capacity Frontload Washer

### Dimensions and Installation Information (in inches)

#### Special Installation Requirements

##### Undercounter Installation

Accessory mounting kits are required for undercounter installation. To order, call 1-800-848-7722.

**Stacked Installation:** Brackets for stacking dryer over washer are included with the washer.

**Alcove or Closet Installation:** If your dryer is approved for installation in an alcove or closet, it will be stated on a label on the dryer back. The dryer MUST be exhausted to the outdoors. Minimum clearances between dryer cabinet and adjacent walls or other surfaces are: 0" either side, 3" front and rear. Minimum vertical space from floor to overhead cabinets, ceilings, etc. is 52". Closet doors must be louvered or otherwise ventilated and must contain a minimum of 60 sq. in. of open area equally distributed. If this closet contains both a washer and a dryer, doors must contain a minimum of 120 sq. in. of open area equally distributed. The closet should be vented to the outdoors to prevent gas pocketing in case of a gas leak in the supply line. No other fuel-burning appliance shall be installed in the same closet with the dryer.

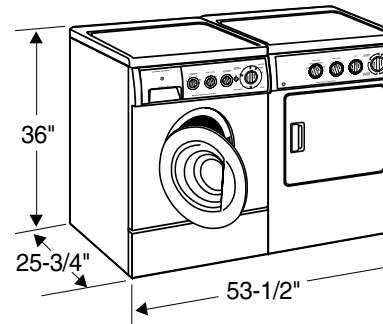
**Bathroom or Bedroom Installation:** The dryer must be exhausted to the outdoors. The installation must conform with the local codes, or in the absence of local codes, with the National Fuel Gas Code, ANSI Z223.

##### Minimum Clearances other than Alcove or Closet Installations:

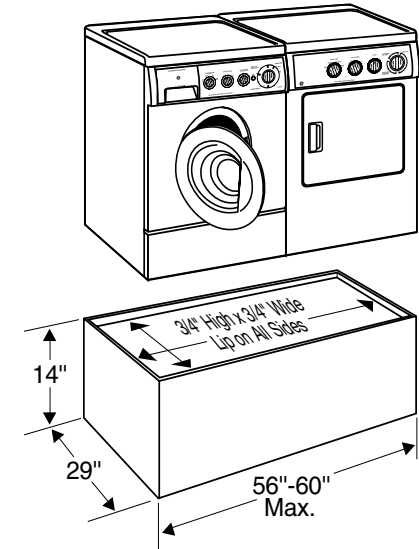
Minimum clearances to combustible surfaces: 0" both sides, 3" rear

For answers to your Monogram®, GE Profile™ or GE® appliance questions, visit our website at [ge.com](http://ge.com) or call GE Answer Center® service, 800.626.2000.

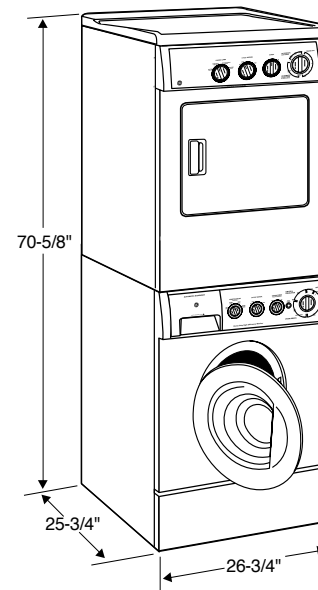
#### Free-Standing Installation



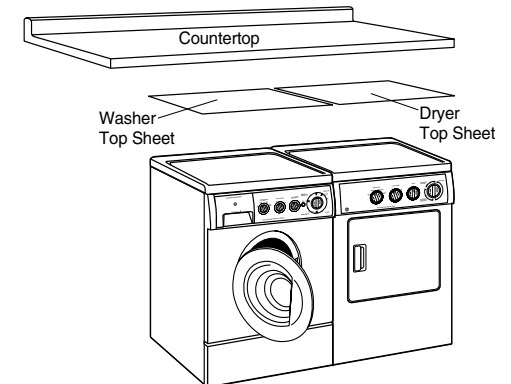
#### Raised/ Built-in Installation



#### Stacked Installation



#### Undercounter Installation



imagination at work



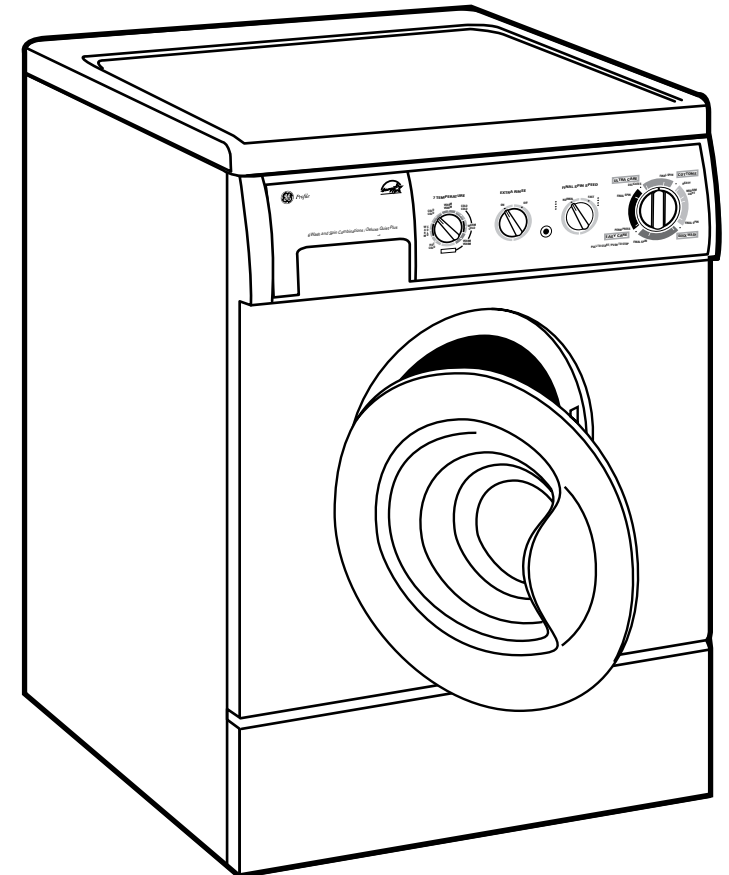
Listed by  
Underwriters  
Laboratories

# WSXH208H

## GE® ENERGY STAR® Extra-Large 3.1 Cu. Ft. Capacity Frontload Washer

### Features and Benefits

- ENERGY STAR® Qualification – Means less energy waste and lower utility bills
- Adaptive Water Levels – Assure that no water is wasted
- Timed Dispensers – Automatically releases cleaning solution at just the right time, eliminating guesswork
- Eight Wash Cycles – Convenient, preprogrammed settings for your everyday fabrics
- Adjustable End-Of-Cycle Signal – Alerts you when cycle is done, saving time between loads
- Auto 2nd Rinse – Helps to protect delicate fabrics and sensitive skin
- GE Pedestal (model number FPDW1) Available at Additional Cost – 12" H x 27" W x 24-3/8" D; White
- Quiet-By-Design™ – Engineered for quiet operation
- Rotary Electromechanical Controls – Allow fast, easy cycle selection
- WSXH208HWW – White



For answers to your Monogram®, GE Profile™ or GE® appliance questions, visit our website at [ge.com](http://ge.com) or call GE Answer Center® service, 800.626.2000.

Modified Energy Factor (MEF)	1.86
Water Factor (WF)	7.2



imagination at work



Listed by  
Underwriters  
Laboratories

Specification Revised 6/09

360258