

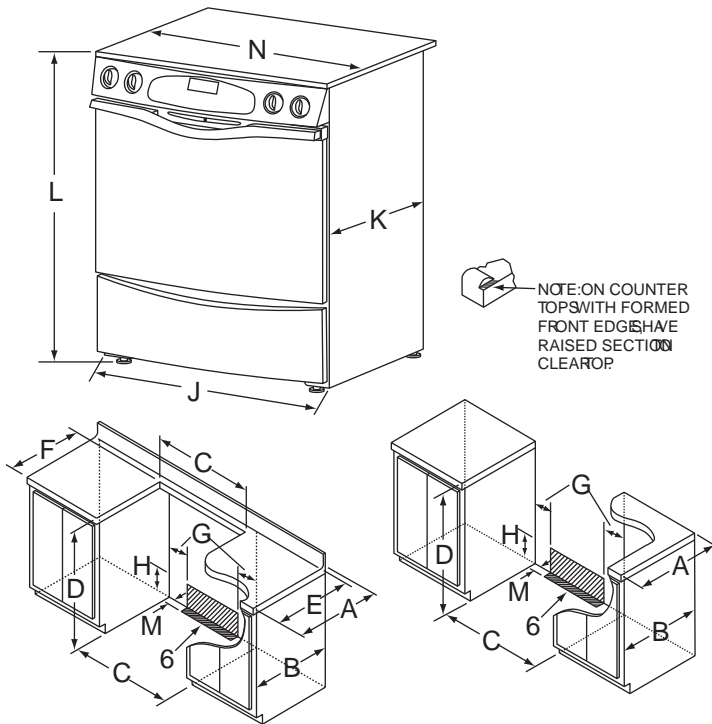


THE SIGN OF A GREAT COOK®

www.jennair.com

30"

## DUAL-FUEL RANGES



JDS8850AA

Dimensions

■	Inches	Centimeters
A	25	63.5
B	24	61.0
C	30	76.2
D <sup>1</sup>	36	91.4
E <sup>2</sup>	23 5/8	60.0
F <sup>3</sup>	23 1/4	59.1
G	5 1/2	14.0
H	10	25.4
J	29 7/8	75.9
K <sup>4</sup>	26 3/16	66.5
L <sup>5</sup>	35 3/4	90.8
M	2 1/4	5.7
N	30 3/4	78.1

### Notes:

1. Before attempting installation adjust range leveling legs to accommodate this dimension.
2. Minimum flat area.
3. Cut depth When replacing an existing unit, a maximum cut depth of 23 1/2" (59.7 cm) is acceptable.
4. Dimension K is from the wall to the side edge of the oven door. It does not include the curvature of the glass or the depth of the handle.
5. Dimension L is with the leveling legs adjusted all the way in. This may vary slightly upon leveling leg adjustment.
6. Provide for either a 3-wire or 4-wire 120/208/240 volt outlet per applicable code in shaded area shown. Refer to installation instructions for proper positioning of outlet.
7. Side Clearance - Ranges installed near a side wall must allow a minimum clearance of 3" (7.5 cm).
8. Overhead Cabinet - Provide 30" (76.2 cm) minimum vertical clearance between cooking surface and construction above the appliance. Allow 13" (33.02 cm) maximum depth of cabinets installed above cooking surface.
9. Convertible to LP gas components supplied with range.
10. A slide-in range, if equipped with optional backguard kit, may be installed zero inches from wall. For freestanding range look, must use optional backguard kit and optional side panel kits.

Caution: Some white European style cabinets are equipped with delicate white vinyl drawer and door fronts. The vinyl may not be designed to withstand the heat produced by the normal safe operation of a self-cleaning range. Discoloration or delamination may occur. To avoid possible damage, we recommend increasing the 30" (76.2 cm) cabinet opening to 31 1/4" (79.4 cm) minimum and using a heat shield kit (CABKIT V), which may be ordered separately. The countertop cutout must remain 30" (76.2 cm).

Important: Because of continuing product improvements, Jenn-Air reserves the right to change specifications without notice. Dimensional specifications are provided for planning purposes only. FOR COMPLETE DETAILS, SEE INSTALLATION INSTRUCTIONS PACKED WITH PRODUCT BEFORE SELECTING CABINETRY, MAKING CUTOUTS OR BEGINNING INSTALLATION.