

# Warmer Drawer

E30WD75GPS professional series



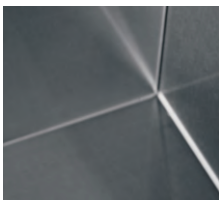
### Smooth-Glide™ Full-Extension Warmer Drawer

Drawer slides in and out with ease, extending completely and safely for convenient access to prepared foods.



### Flexible Temperature Control

The 450-watt heating element keeps food warm at a preferred serving temperature of anywhere from 80 to 210 degrees F. The blue LED panel is visible through the convenient display window located on the drawer front.



### Stainless Steel Interior Design

Entire inner drawer cavity is constructed of smooth and durable, seamless stainless steel for easy cleanup.



### Humidity Control

Allows adjustment of humidity levels to ensure that foods taste as they should even after reheating.

### 30" WARMER DRAWER

Capacity	1.6 Cu. Ft.
----------	-------------

#### FEATURES

Humidity Control	Yes
Heating Element (Watts)	450
Smooth-Glide™ Full-Extension Drawer	Yes
Stainless Steel Drawer Interior	Yes
Second-Tier Rack	Yes

#### ACCESSORIES

ServeWare – 5304447729	Optional
------------------------	----------

#### SPECIFICATIONS

##### Drawer Interior Dimensions –

Height	6-1/2"
Width	20-15/16"
Depth	19-1/4"

##### Overall Exterior Dimensions –

Height	10-3/4"
Width	29"
Depth (to Front Drawer Corner) (Fully Extended Including Handle)	23-3/8" 44-1/8"

Temperature Range	80°F – 210°F
-------------------	--------------

Power Supply Connection Location	Right Center Rear
----------------------------------	-------------------

Voltage Rating	120V/60Hz/15A
----------------	---------------

Connected Load (kW Rating) @ 120 Volts†	0.45
---	------

Amps @ 120 Volts	3.75
------------------	------

Minimum Circuit Required (Amps)	15
---------------------------------	----

60" Electrical Cable	Included
----------------------	----------

Approved for Under-Counter Installation	Yes
---	-----

Product Weight	49 Lbs.
----------------	---------

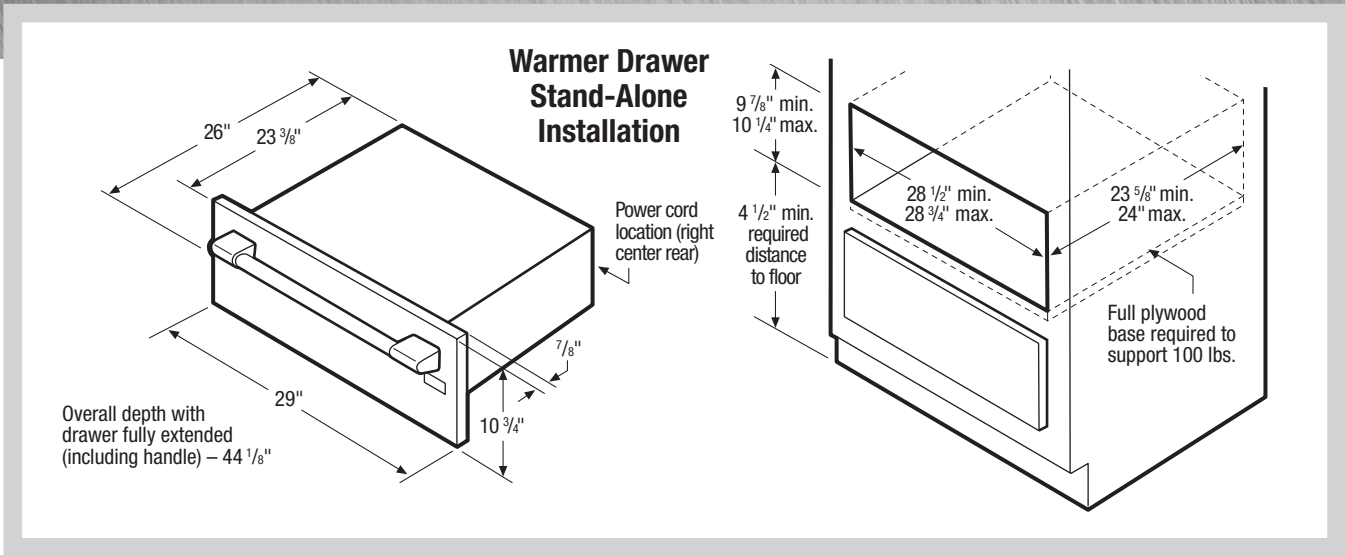
Shipping Weight (Approx.)	63 Lbs.
---------------------------	---------

UPC (0-57112-)	09770-1
----------------	---------

†For use on adequately wired 120V, dedicated circuit having 2-wire service with a separate ground wire. Appliance must be grounded for safe operation.

NOTE: Always consult local and/or national electric codes. Refer to Product Installation Guide for detailed installation instructions on the web at [electroluxusa.com](http://electroluxusa.com).

Specifications subject to change.



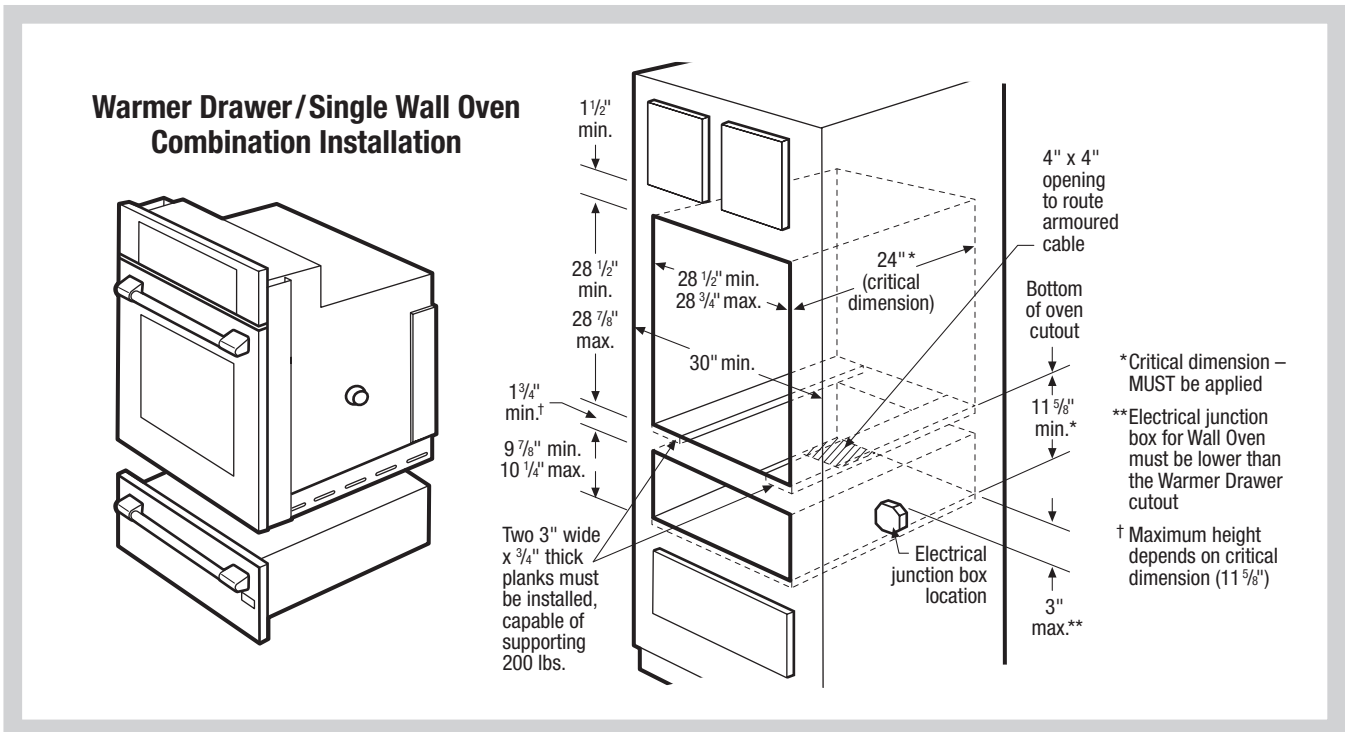
### 30" Warmer Drawer Specifications

- Product Weight – 49 Lbs.
- Voltage Rating – 120V/450W/60 Hz/15 Amps
- Connected Load (kW Rating) @ 120 Volts = 0.45kW (For use on adequately wired 120V, dedicated circuit having 2-wire service with a separate ground wire. Appliance must be grounded for safe operation.)
- Amps @ 120V = 3.75 Amps
- Full plywood base required, capable of supporting 100 Lbs.
- Base must be level and cabinet front must be square.

- Warmer Drawer can be used alone, or is approved to be used in combination with any Electrolux ICON™ Wall Oven. (Refer to *Combination Installation Specifications and drawing on this page.*)
- Warmer Drawer can be used alone, or is approved to be used in combination with any Electrolux ICON™ built-in product. (Refer to *Combination Installation Specifications page.*)

### Optional Accessories

- ServeWare – (5304447729).



### Warmer Drawer / Wall Oven Combination Specifications

- To support Wall Oven when using in combination with Warmer Drawer, two 3"-wide x 3/4" thick planks must be installed as a base, capable of supporting 200 Lbs. Do NOT use full base, since planks are necessary to allow for proper air displacement.

Note: Refer to Product Installation Guide for detailed instructions on the web at [electroluxusa.com](http://electroluxusa.com).